

PARTS MANUAL

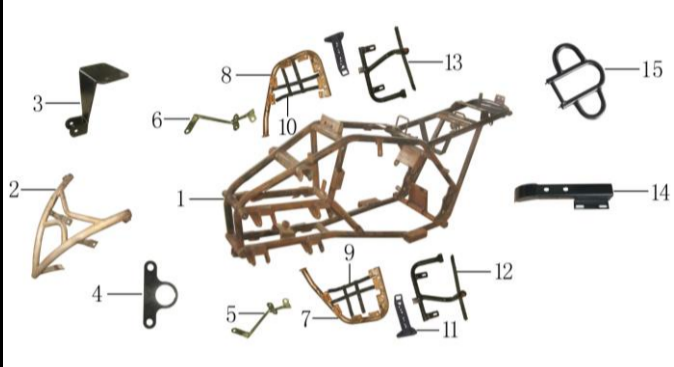
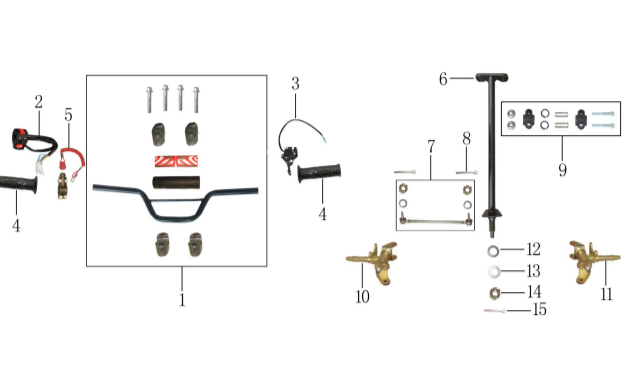
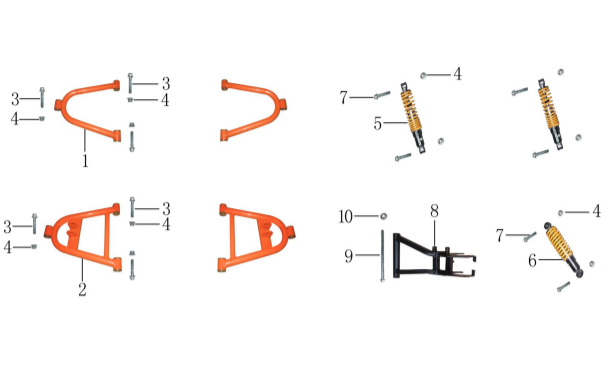
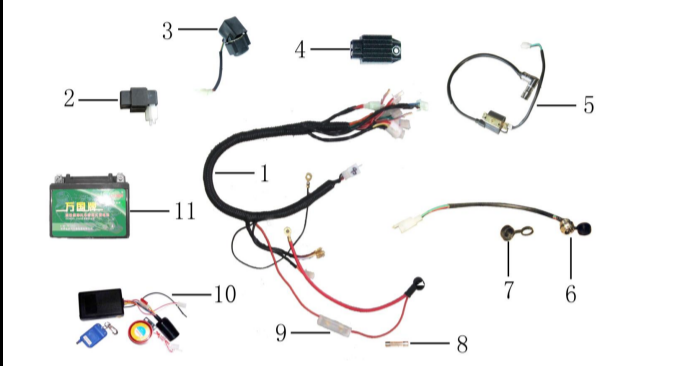
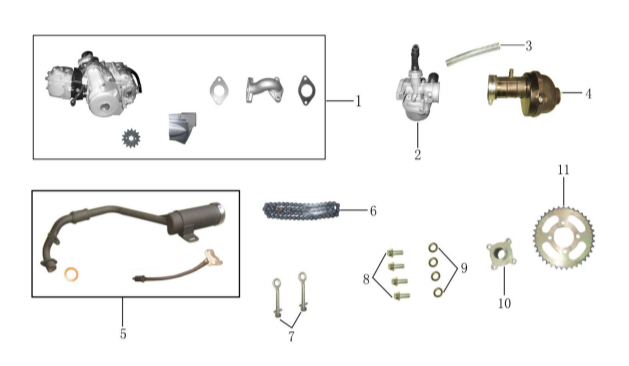
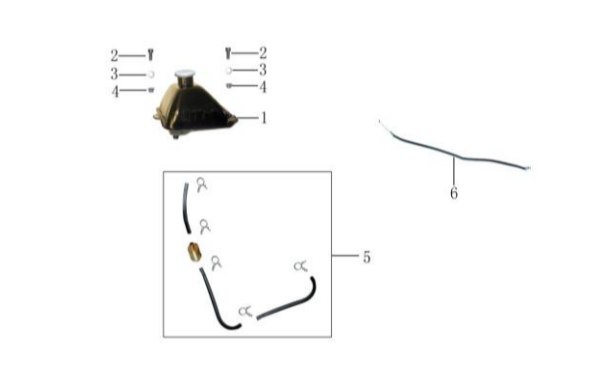
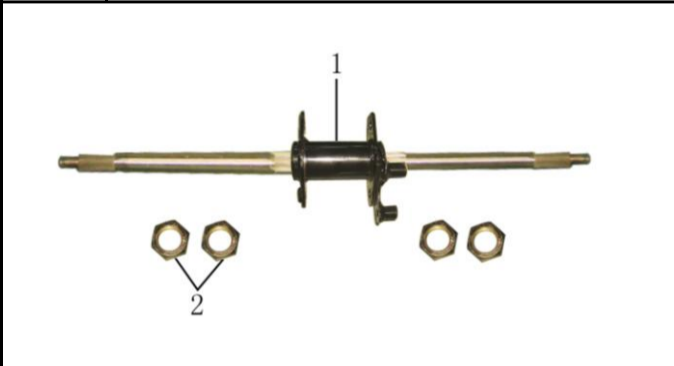
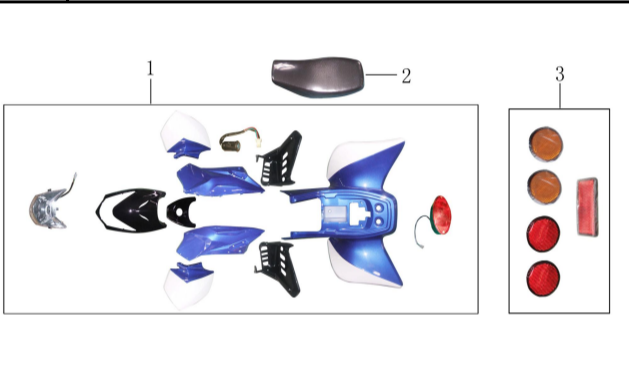
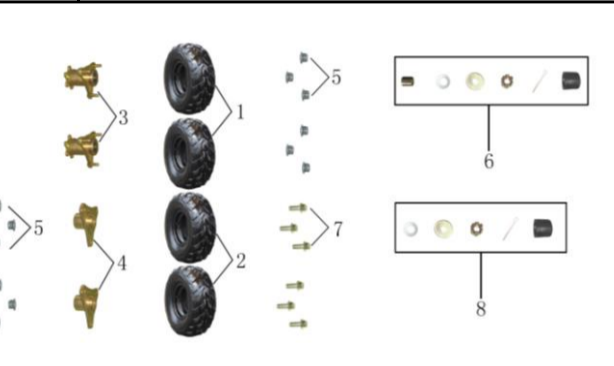
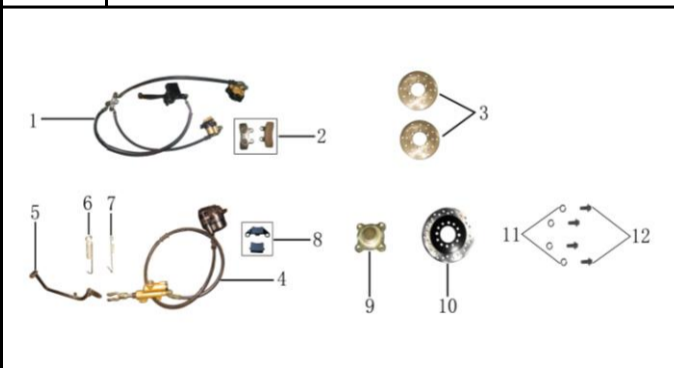
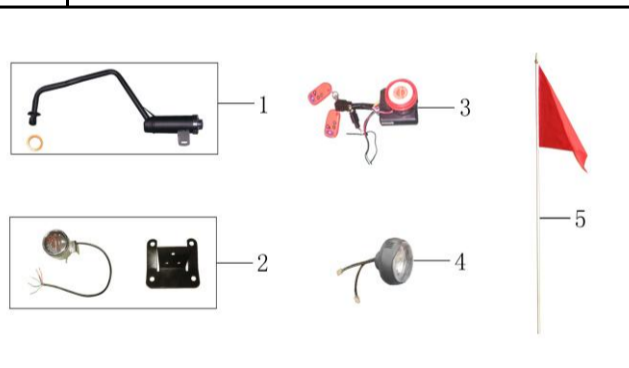
MODEL

YH110(125)

STYLE

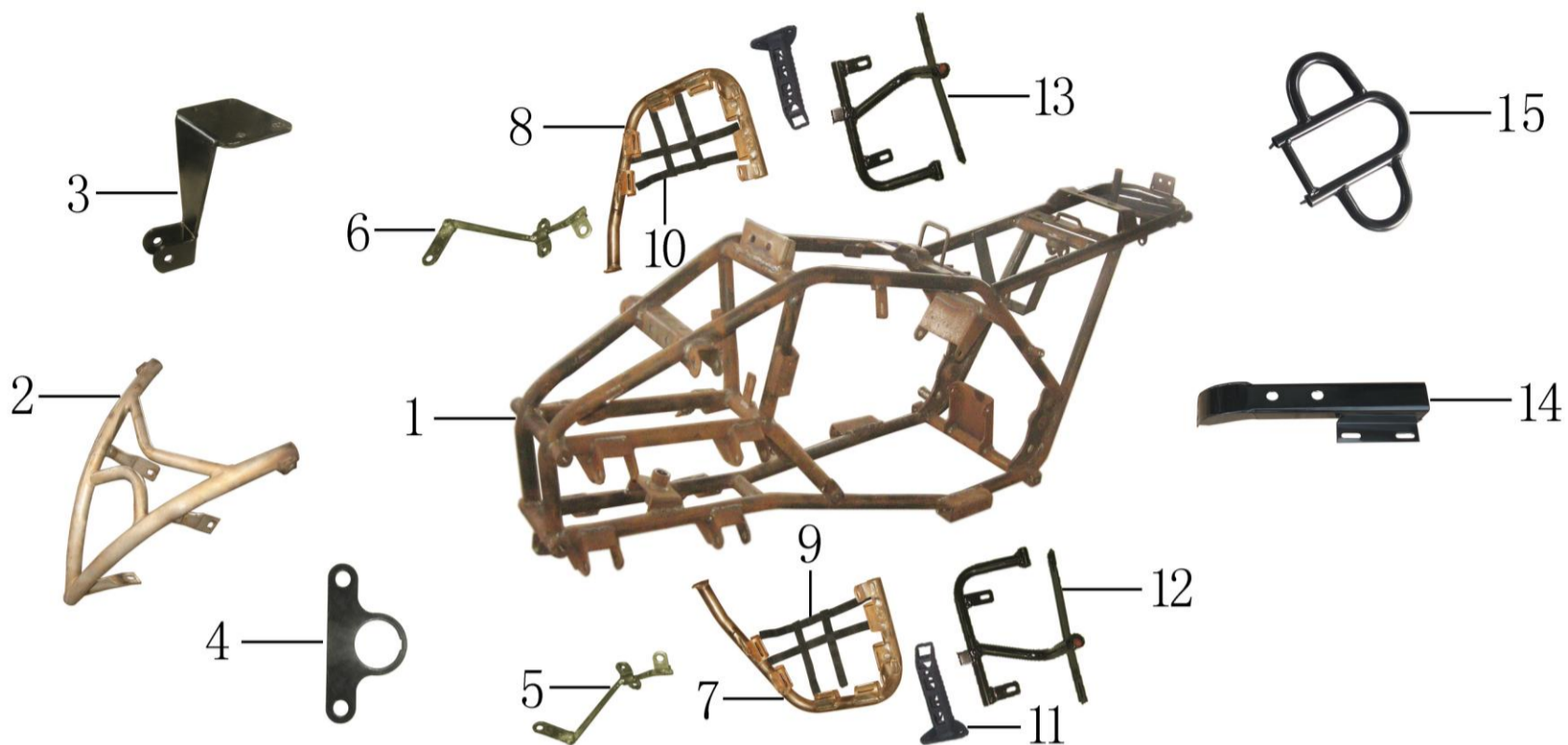


PARTS SYSTEM

1	FRAME SYSTEM	2	STEERING SYSTEM	3	SUSPENSION SYSTEM
					
4	ELECTRIC SYSTEM	5	TRANSMISSION SYSTEM	6	FUEL TANK
					
7	REAR AXLE	8	BODY KITS	9	WHEEL COMPLETE
					
10	HYDRAULIC BRAKE	11	OPTION PARTS		
					

1.FRAME SYSTEM

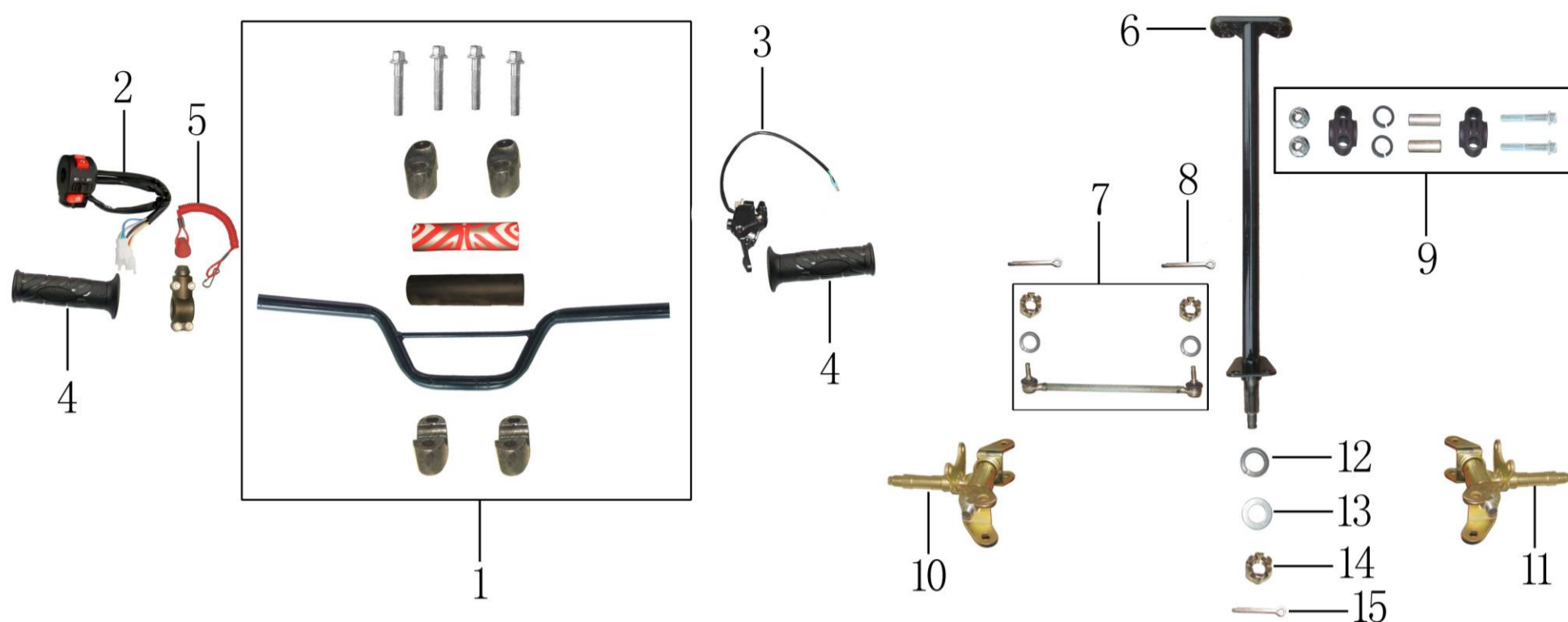
LEVEL 1



REF NO.	level 1 NO.	PART NO.	DESCRIPTION	REMARK	QTY	level 2 NO.	PART NO.	DESCRIPTION	REMARK	QTY
1	1	YH000B100000001	FRAME	车架	1					
2	2	YH000F310000001	BUMPER	前保险杠	1					
3	3	YP000B430000000	HEAD LIGHTS BRACKET	前照灯支架	1					
4										
5	4	YA000B450000000	KEYS BRACKET	电门锁支件	1					
6	5	YH000B440000003	LEFT BODY BRACKET	塑件左支架	1					
7										
8	6	YH000B440000004	RIGHT BODY BRACKET	塑件右支架	1					
9										
10	7	YH000F300000000	LEFT FOOTREST	左护脚网支架	1					
11										
12	8	YH000F300000001	RIGHT FOOTREST	右护脚网支架	1					
13										
14	9	YH000F300000002	LEFT PROTECTIVE NET	左护脚网	1					
15										
16	10	YH000F300000003	RIGHT PROTECTIVE NET	右护脚网	1					
17										
18	11	TE000F130000000	FOOT PEG BRACKET	脚踏杆	2					
19	12	TE000F150000000	PEG PLASTIC BRACKET(LEFT)	左脚踏塑料件支架	1					
20										
21	13	TE000F150000001	PEG PLASTIC BRACKET(RIGHT)	右脚踏塑料件支架	1					
22										
23	14	YS000F320000001	CHAIN COVER	挡链罩	1					
24	15	YS000F320000000	CHAIN GUARD	链条护托	1					

2. STEERING SYSTEM

LE
VE
L1



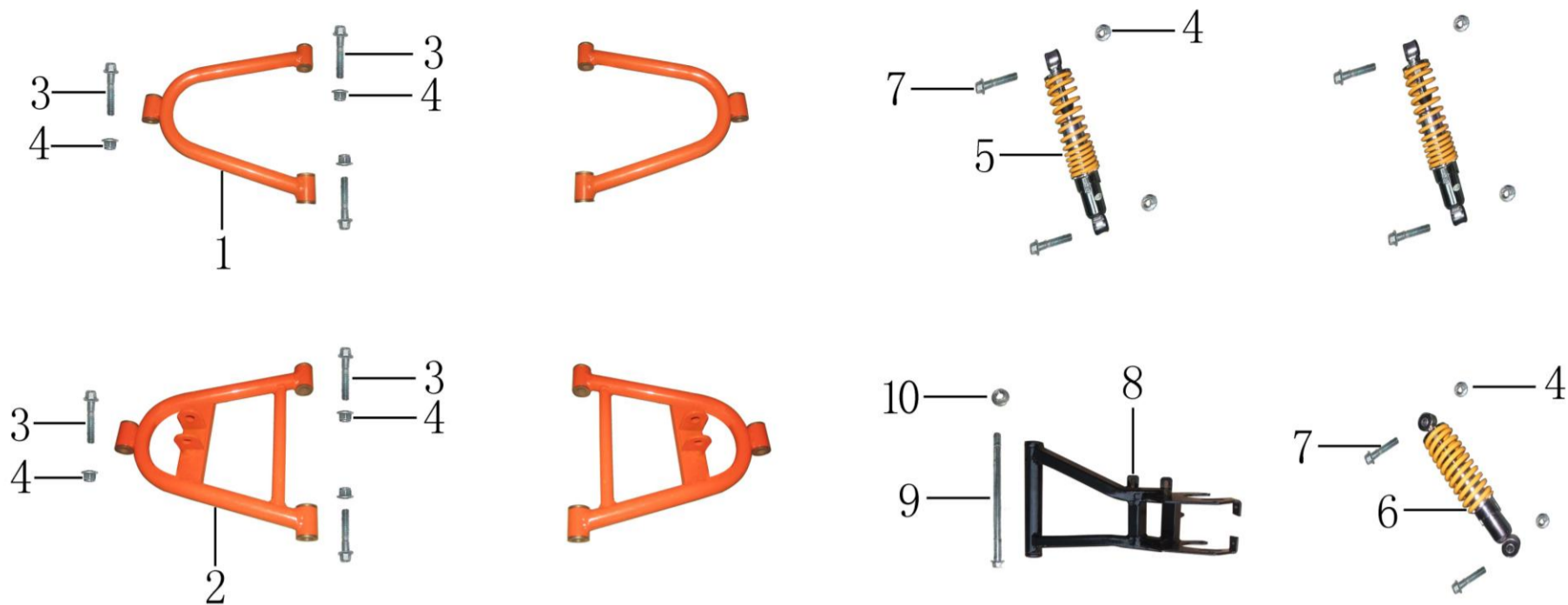
LE
VE
L2

	1	7	9
	<p>1.5 1.2 1.4 1.3 1.1 1.2</p>	<p>7.5 7.4 7.1 7.3 7.2</p>	<p>9.5 9.4 9.3 9.2 9.1</p>
	10	11	
	<p>10.6 10.5 10.4 10.3 10.1 10.2 10.7</p>	<p>11.6 11.5 11.4 11.3 11.1 11.2 11.7</p>	

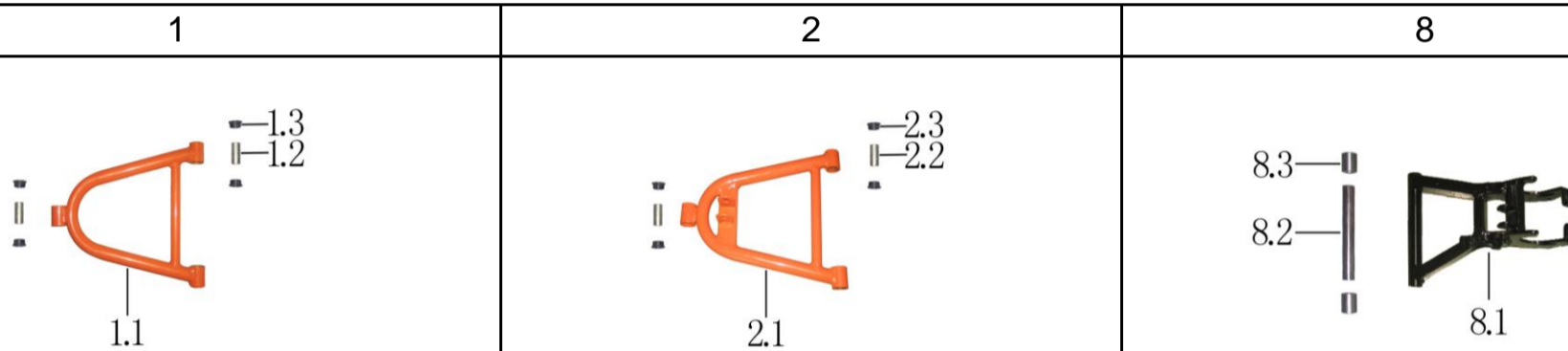
REF NO.	level 1 NO.	PART NO.	DESCRIPTION	REMARK	QTY	level 2 NO.	PART NO.	DESCRIPTION	REMARK	QTY
1	1	YH000C100000001	HANDLE BAR ASSY	把手管组件	1	1.1	YH000C110000000	HANDLE	把手管	1
2						1.2	YS000C220000000	HANDLE FIXER	把手管固定块	4
3						1.3	YF000P310000000	HANDLE COVER	把手管海棉套	1
4						1.4	YF000P310000001	HANDLE COVER	把手管海棉外套	1
5						1.5	G587M08L55D88ZS0	BOLT M8*55	六角法兰面螺栓B级	4
6	2	YH000D710000000	STARTING SWITCH	左组合开关	1					
7	3	TE000E810000000	THROTTLE CONTROL	加油器组件	1					
8										
9	4	YS000C240000000	HAND GRIP	把手套	1					
10	5	YA000D730000000	EMERGENCE KILL SWITCH	紧急熄火开关	1					
11										
12	6	YH000C310000001	STEERING POLE	方向柱	1					
13	7	YX000C320000002	STEERING LINK L245	转向拉杆组件	2	7.1	YX000C320000003	TIE-ROD	转向拉杆主体	1
14						7.2	YX000C330000000	LINK KNUCKLE I	转向拉杆球头(正丝)	1
15						7.3	YX000C330000001	LINK KNUCKLE II	转向拉杆球头(反丝)	1
16						7.4	G859M10S02B03000	WASHER d10	弹簧垫圈	2
17						7.5	G181M10D08ZG0	NUT M10	六角开槽螺母	2
18	8	GB91D002L040ZS0	COTTER PIN 2*40	开口销	4					
19	9	YH000C200000000	STEERING CLIP ASSY	方向柱固定件	1	9.1	G587M08L55D88ZS0	BOLT M8*55	六角法兰面螺栓B级	2
20						9.2	YS000C220000001	CLIP	方向柱固定块	2
21						9.3	YB000P110000001	STEERING BUSH d10*D14*L40	金属隔套	2
22						9.4	YS000C240000001	RUBBER MAT	方向柱密封圈	2
23						9.5	Q141M08D08ZS0	NUT M8	六角法兰面自锁螺母	2
24										
25	10	YX000C400000000	STEERING KNUCKLE(LF) ASSY	左转向节组件	1	10.1	YX000C410000000	STEERING KNUCKLE(LF)	左转向节主体	1
26						10.2	YH000P110000005	METAL BUSH d12*D16*L74	金属隔套	1
27						10.3	YS000P220000000	STEERING BUSH	非金属台阶隔套	2
28						10.4	YS000C430000000	STEERING COVER	转向节防尘盖	2
29						10.5	YS000C410000002	KNUCKLE	转向节U形件	2
30						10.6	G587M12L105D88ZS0	BOLT M12*105	六角法兰面螺栓B级	1
31						10.7	Q141M12D08ZS0	NUT M12	六角法兰面自锁螺母	1
32										
33										
34	11	YX000C400000001	STEERING KNUCKLE(RH) ASSY	右转向节组件	1	11.1	YX000C410000001	STEERING KNUCKLE(LF)	右转向节主体	1
35						11.2	YH000P110000005	METAL BUSH d12*D16*L74	金属隔套	1
36						11.3	YS000P220000000	STEERING BUSH	非金属台阶隔套	2
37						11.4	YS000C430000000	STEERING COVER	转向节防尘盖	2
38						11.5	YS000C410000002	KNUCKLE	转向节U形件	2
39						11.6	G587M12L105D88ZS0	BOLT M12*105	六角法兰面螺栓B级	1
40						11.7	Q141M12D08ZS0	NUT M12	六角法兰面自锁螺母	1
41										
42										
43	12	G093M12S31B31000	WASHER d12	弹簧垫圈	1					
44	13	G971M12D24H25ZS0	WASHER d12	平垫圈	1					
45	14	G181M12D08ZG0	NUT M12	六角开槽螺母	1					
46	15	GB91D002L032ZS0	COTTER PIN 2*32	开口销	1					

3.SUSPENSION SYSTEM

LE
VE
L1



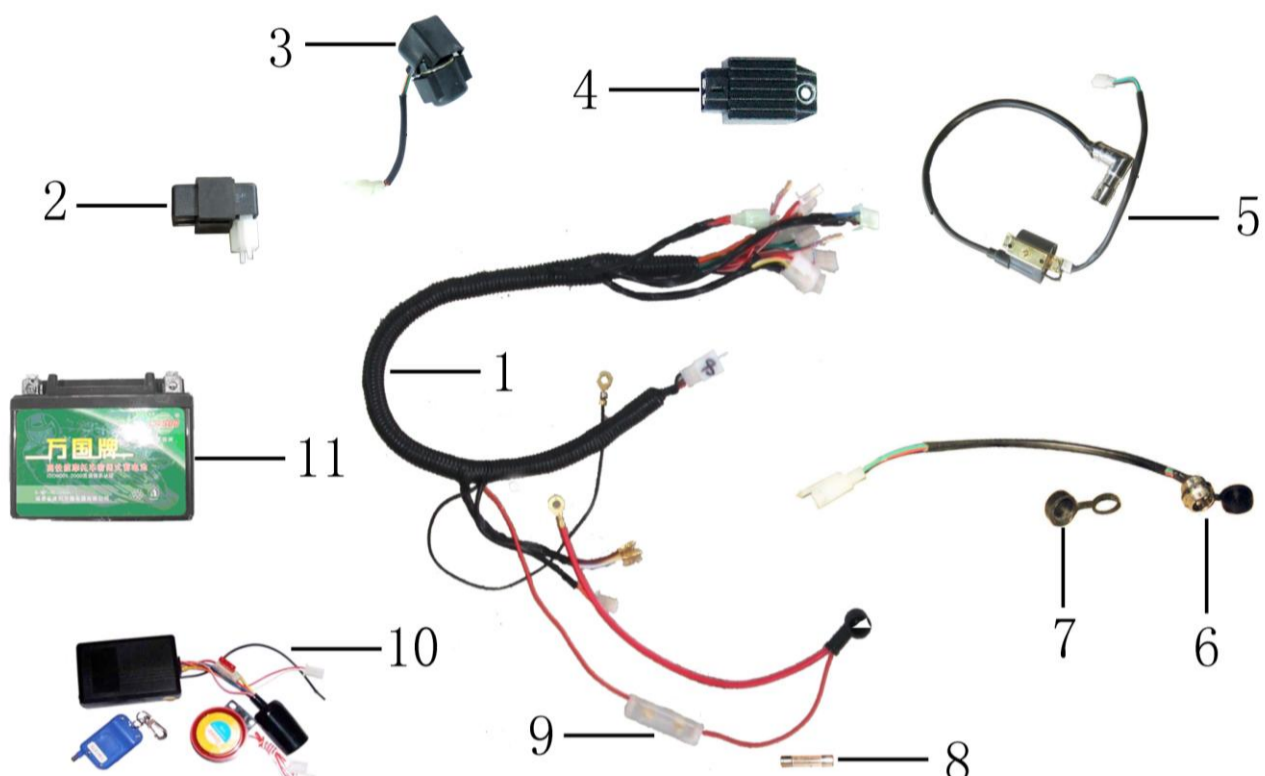
LE
VE
L2



REF NO.	level 1 NO.	PART NO.	DESCRIPTION	REMARK	QTY	level 2 NO.	PART NO.	DESCRIPTION	REMARK	QTY
1	1	YH000N100000004	UPPER A-ARM ASSY	前上摇架组件	2	1.1	YH000N100000000	UPPER A-ARM	前上摇架	1
2						1.2	YX000P110000000	METAL BUSH d10*D14*L41	金属隔套	3
3						1.3	TE000P120000000	A-ARM PLUG	金属台阶隔套	6
4										
5	2	YH000N100000005	LOWER A-ARM ASSY	前下摇架组件	2	2.1	YH000N100000001	LOWER A- ARM(LEFT)	前下摇架	1
6						2.2	YX000P110000000	METAL BUSH d10*D14*L41	金属隔套	3
7						2.3	TE000P120000000	A-ARM PLUG	金属台阶隔套	6
8										
9	3	G587M10L65D88ZS0	BOLT M10*65	六角法兰面螺栓B级	12					
10	4	Q141M10D08ZS0	NUT M10	六角法兰面自锁螺母	18					
11	5	YH000N310000002	REAR SHOCK L320	前减震器	2					
12	6	YH000N310000003	REAR SHOCK L305	后减震器	1					
13	7	G587M10L40D88ZS0	BOLT M10*40	六角法兰面螺栓B级	6					
14	8	TE000N200000000	REAR SWING ARM ASSY	后平叉组件	1	8.1	TE000N210000000	REAR SWING ARM	后平叉	1
15						8.2	YX000P110000001	METAL BUSH d12*D16*L142	金属隔套	1
16						8.3	TE000P110000000	METAL BUSH d12*D24*L29	粉末冶金套	2
17										
18										
19	9	Q587M12L260D88ZS0	BOLT M12*260	六角法兰面螺栓B级	1					
20	10	Q141M12D08ZS0	NUT M12	六角法兰面自锁螺母	1					

4.ELECTRIC SYSTEM

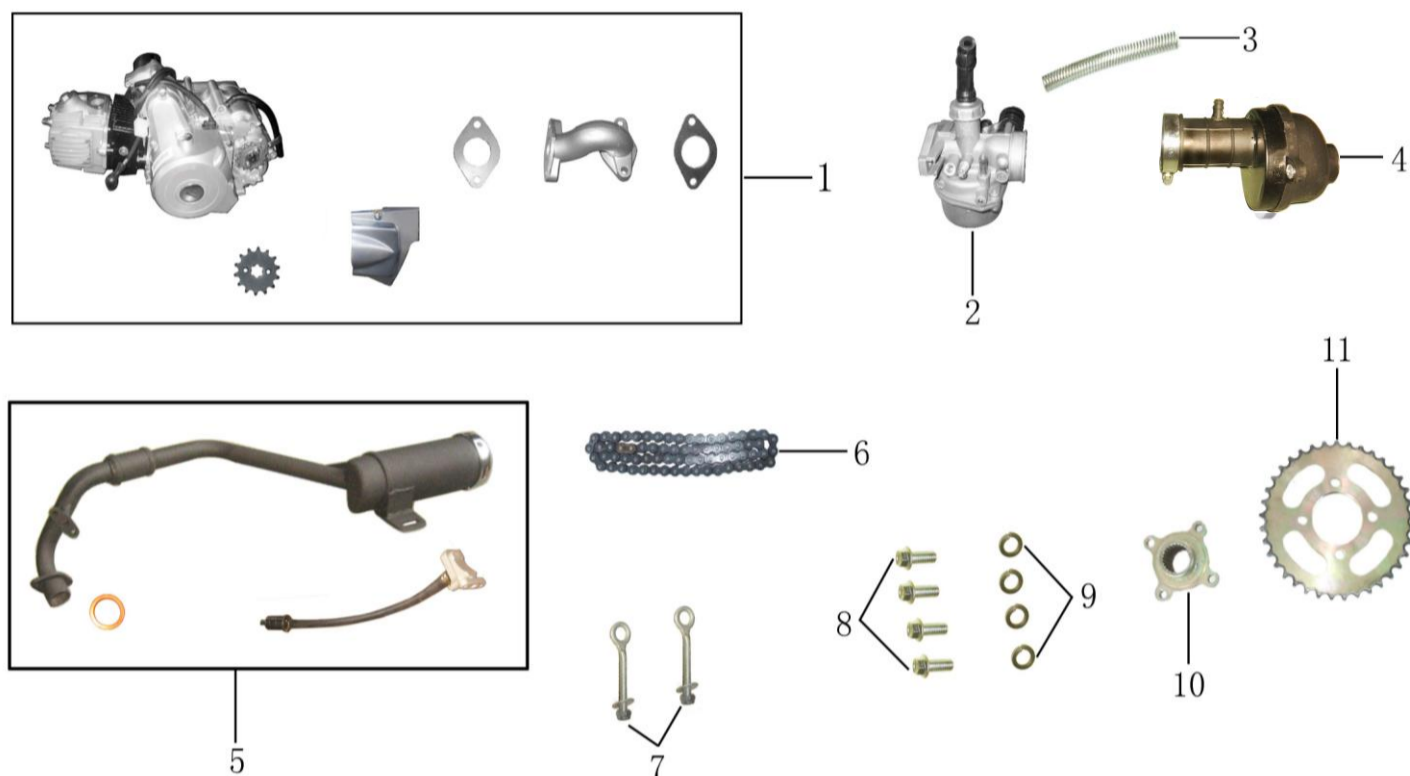
LE
VE
L1



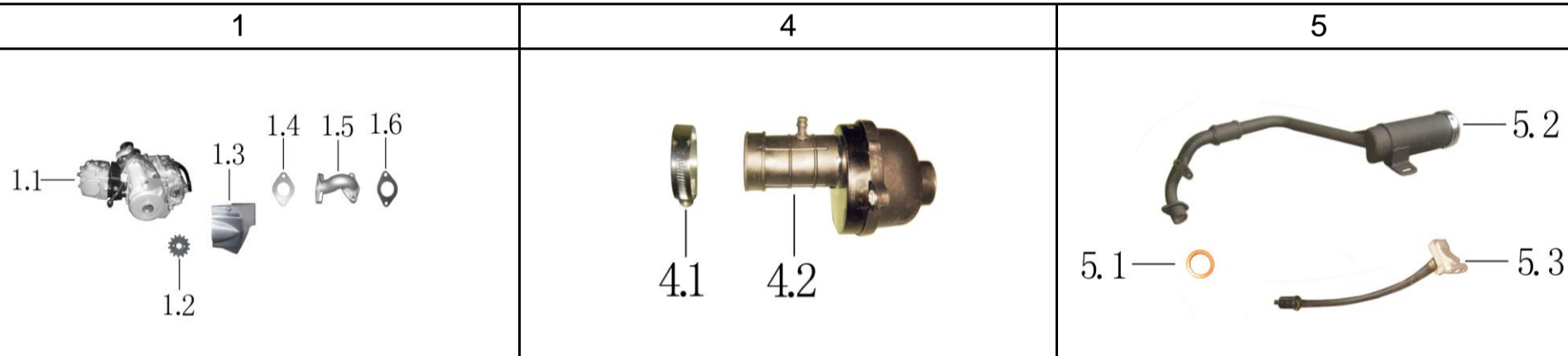
REF NO.	level 1 NO.	PART NO.	DESCRIPTION	REMARK	QTY	level 2 NO.	PART NO.	DESCRIPTION	REMARK	QTY
1	1	YH000D110000004	WIRE HARNESS	主电缆	1					
2	2	YS000D410000001	C.D.I	点火器	1					
3	3	YS000D430000000	STARTER RELAY	继电器	1					
4	4	YS000D440000000	REGULATOR	整流器	1					
5	5	YB000D420000000	IGNITION COIL	高压包	1					
6	6	YF000D620000001	CHARGING MOUTH	充电口	1					
7										
8	7	YF000D620000002	CAP OF CHARGING MONTH	充电口盖	1					
9										
10	8	SB000D220000000	FUSE	保险丝	1					
11	9	SB000D220000001	FUSE BOX	保险丝盒	1					
12	10	YS000D460000000	ODD REMOTE CONTROL	单遥控器	1					
13										
14	11	YS000D610000000	BATTERY	蓄电池	1					

5.TRANSMISSION SYSTEM

LE
VE
L1



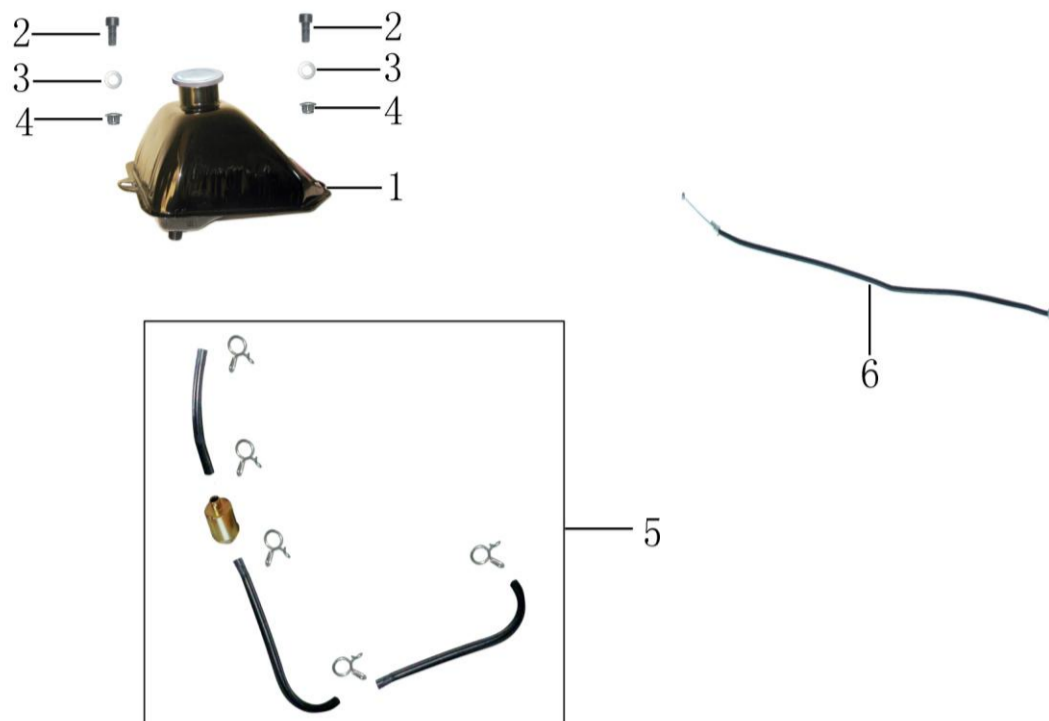
LE
VE
L2



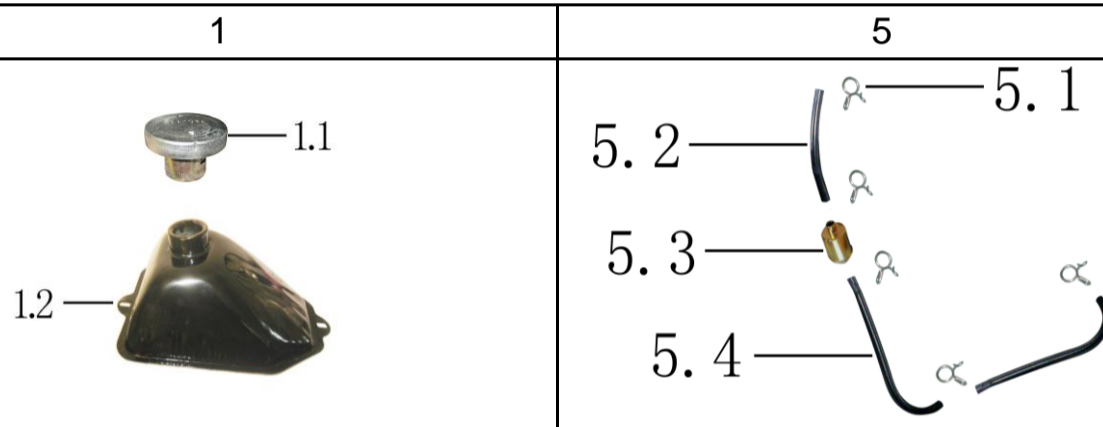
REF NO.	level 1 NO.	PART NO.	DESCRIPTION	REMARK	QTY	level 2 NO.	PART NO.	DESCRIPTION	REMARK	QTY
1	1	YB000J000000002	ENGINE ASSY	发动机组件	1	1.1	YB000J100000005	ENGINE	发动机	1
2						1.2	YS000M10YB00000	FRONT SPROCKET	输出链轮	1
3						1.3	TE000J110000000	ENGINE CHAIN GUARD	发动机链盖	1
4						1.4	YS000E910000002	INTAKE MANIFOLD GASKET	进气管密封垫	1
5						1.5	YF000E540000000	INTAKE MANIFOLD	进气管	1
6						1.6	YS000E910000001	INTAKE MANIFOLD GASKET(PLASTIC)	进气管塑料密封垫	1
7										
8										
9										
10	2	YH000E510000001	CARBURETOR PZ19	化油器	1					
11	3	YB000E910000001	SPRING FOR OIL TUBE	油管保护弹簧	1					
12										
13	4	YB000A000000002	AIR FILTER ASSY	空气滤清器组件	1	4.1	Q620AD45ZS0	CIRCLIP	A型蜗杆传动式软管环箍	1
14						4.2	YB000A300000001	AIR FILTER	空气滤清器	1
15	5	YH000A200000004	EXHAUST	排气消声器组件	1	5.1	YS000A440000000	MUFFLER SEAL	排气消声器密封圈	1
16						5.2	YH000A200000003	MUFFLER	排气消声器	1
17						5.3	YB000A500000001	SECOND FILL VALVE	二次补气阀	1
18	6	JCASI4200881YB0	CHAIN 420#	链条	1					
19	7	YH000M140000000	CHAIN ADJUSTER	链条调节器	2					
20	8	G587M08L20D88ZS0	BOLT M8*20	六角法兰面螺栓B级	4					
21	9	G859M08S16B25000	WASHER d8	弹簧垫圈	4					
22	10	YP000M150000000	SPROCKET FLANGE	链盘法兰	1					
23	11	YS000M100000000	REAR SPROCKET	后链盘	1					

6.FUEL TANK

LE
VE
L1



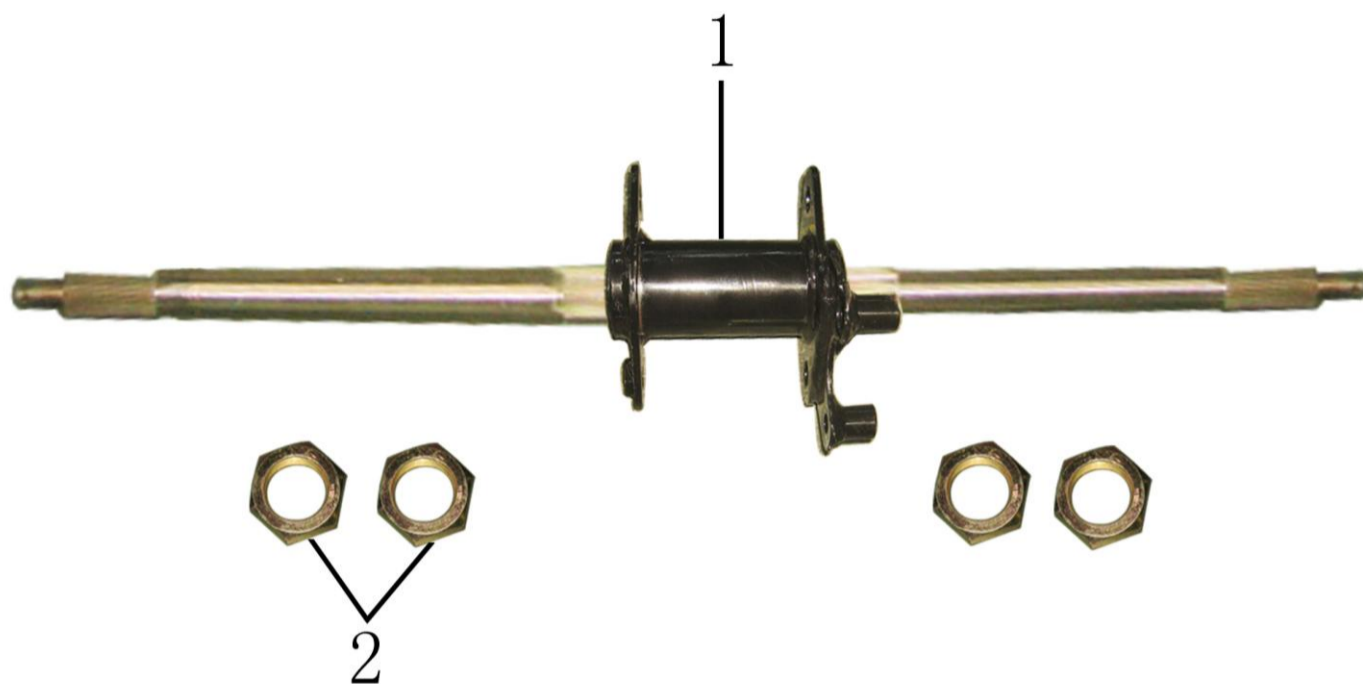
LE
VE
L2



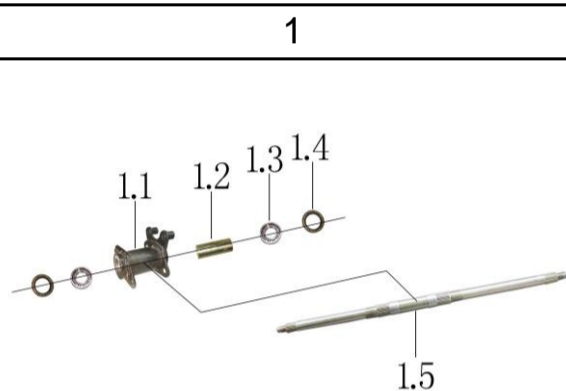
REF NO.	level 1 NO.	PART NO.	DESCRIPTION	REMARK	QTY	level 2 NO.	PART NO.	DESCRIPTION	REMARK	QTY
1	1	YB000E10000000	FUEL TANK ASSY	燃油箱组件	1	1.1	YB000E150000000	FUEL TANK CAP	燃油箱盖	1
2						1.2	YB000E110000000	FUEL TANK	燃油箱	1
3	2	G702M06L20C00ZS0	SCREW M6*20	内六角平圆头螺钉	2					
4	3	Q051M6D16H02ZS0	WASHER	平垫圈	2					
5	4	Q141M06C08ZS0	NUT M6	六角法兰面自锁螺母	2					
6	5	YX000E200000001	FUEL FILTER	燃油过滤器组件	1	5.1	Q621AB7000	CIRCLIP B7	钢丝弹性环箍	5
7						5.2	YB000E610000002	FUEL TUBE	燃油管	1
8						5.3	YN000E210000000	FUEL FILTER	燃油过滤器	1
9						5.4	YB000E610000003	FUEL TUBE	燃油管	2
10	6	YH000M200000000	THROTTLE CABLE 720*75	油门拉线	1					
11										

7.REAR AXLE

LE
VE
L1



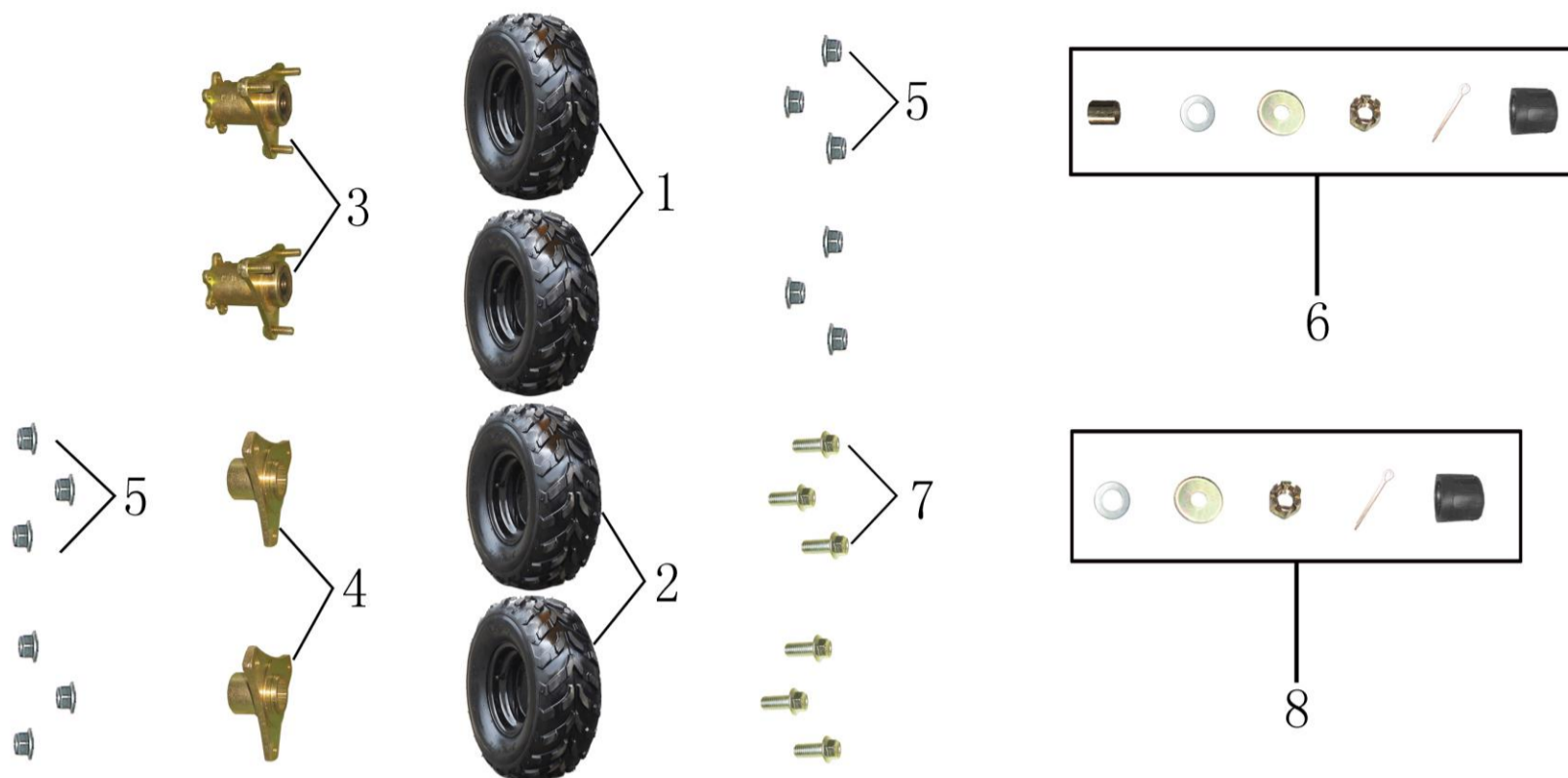
LE
VE
L2



REF NO.	level 1 NO.	PART NO.	DESCRIPTION	REMARK	QTY	level 2 NO.	PART NO.	DESCRIPTION	REMARK	QTY				
1	1	YP000M000000000	REAR AXLE ASSY	后桥总成组件	1	1.1	YP000M510000000	REAR AXLE	后桥传动轮轴	1				
2						1.2	YX000M510000000	REAR AXLE CONNECTION ROD	后桥焊接组件	1				
3						1.3	YX000P110000002	METAL BUSH d32*D35*L89.5	金属隔套	1				
4						1.4	G276DL6006-2RS	BEARING 6006-2RS	深沟球轴承	2				
5						1.5	Q010D038D055B12	OIL SEAL	油封	2				
6														
7														
8	2	G171M27G10000	NUT M27*1.5	六角螺母	4									

9. WHEEL COMPLETE

LE
VE
L1

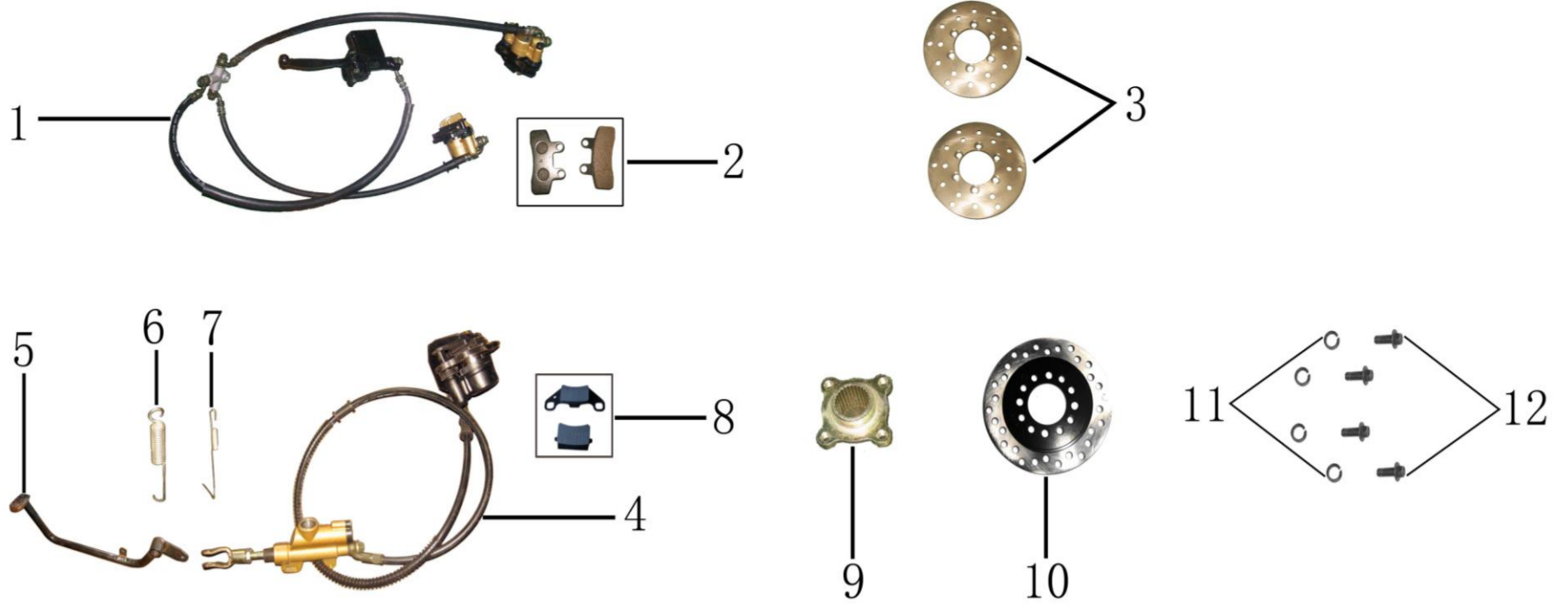


LE
VE
L2

	1	2	6
	<p>1.1, 1.2, 1.3, 1.4</p>	<p>2.1, 2.2, 2.3, 2.4</p>	<p>6.1, 6.2, 6.3, 6.4, 6.5, 6.6</p>
	8		
	<p>8.1, 8.2, 8.3, 8.4, 8.5</p>		

10.HYDRAULIC BRAKE

LE
VE
L1



REF NO.	level 1 NO.	PART NO.	DESCRIPTION	REMARK	QTY	level 2 NO.	PART NO.	DESCRIPTION	REMARK	QTY
1	1	YH000M800000007	FRONT CALIPER	前盘式制动器	1					
2	2	TE000M810000000	FRONT BREAK PADS	前制动器蹄块	1					
3	3	YX000M800000000	FRONT ROTOR	前制动盘	2					
4	4	YH000M800000010	REAR CALIPER	后盘式制动器	1					
5	5	YH000M800000009	REAR BRAKE LEVER	脚刹踏杆	1					
6	6	YB000M800000007	SPRING FOR REAR BRAKE LEVER	脚刹踏杆回位弹簧	1					
7										
8	7	SB000M84ZS00000	SPRING FOR REAR BRAKE SWITCH	后制动灯开关弹簧	1					
9										
10	8	YF000M810000000	REAR BRAKE PADS	后制动蹄块	1					
11	9	YP000M850000000	ROTOR FLANGE	后制动盘法兰	1					
12	10	YS000M820000000	REAR ROTOR	后制动盘	1					
13	11	G859M08S16B25000	WASHER d8	弹簧垫圈	4					
14	12	G587M08L16D88ZS0	BOLT M8*16	六角法兰面螺栓B级	4					

11.OPTION PARTS

LE
VE
L1



1



3



2



4



5

LE
VE
L2

1

2



REF NO.	level 1 NO.	PART NO.	DESCRIPTION	REMARK	QTY	level 2 NO.	PART NO.	DESCRIPTION	REMARK	QTY
1	1	YH000A200000001	ALUMINIUM EXHAUST ASSY	排气消声器组件	1	1.1	YH000A200000000	MUFFLER	排气消声器	1
2						1.2	YS000A440000000	MUFFLER SEAL	排气消声器密封圈	1
3	2	YF000H000000000	SPEEDOMETER ASSY	仪表组件	1	2.1	YF000H110000000	SPEEDOMETER	仪表	1
4						2.2	YF000B450000000	SPEEDOMETER BRACKET	仪表支架	1
5										
6	3	YB000D530000000	ALARM MODULE	双遥控器	1					
7	4	YB000G110000001	HEADLIGHT	前大灯	1					
8	5	YB000P500000001	MAST d8*L1000	旗杆	1					