

PARTS MANUAL

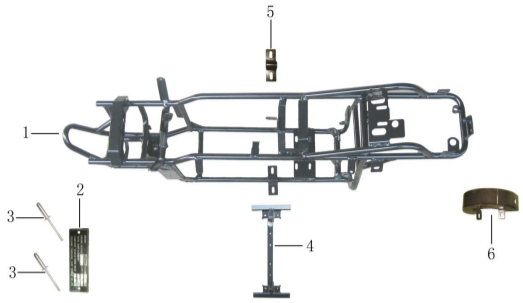
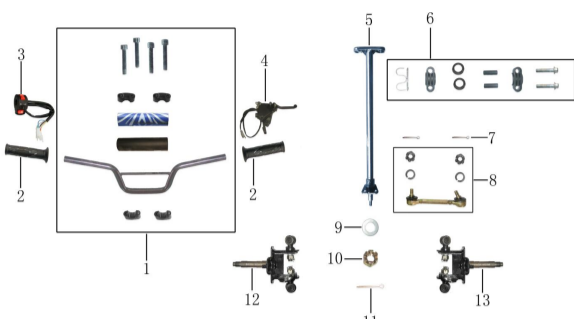
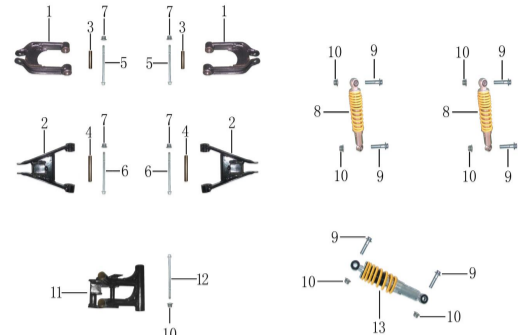
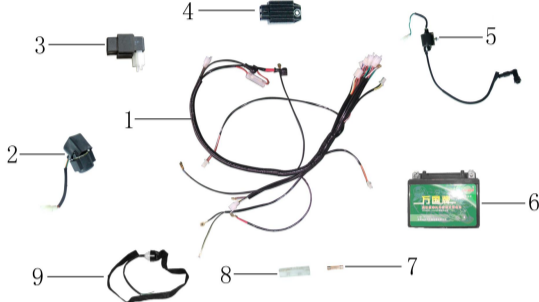
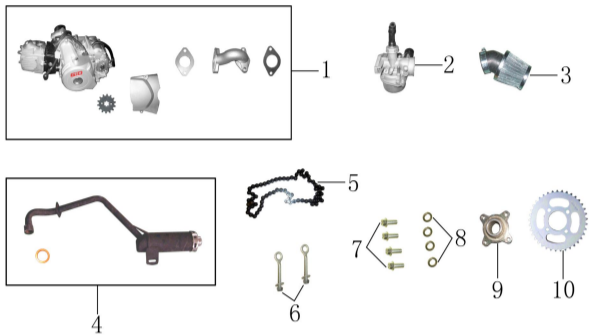
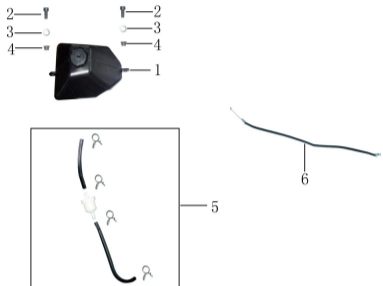
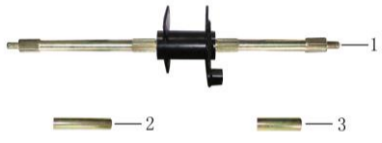
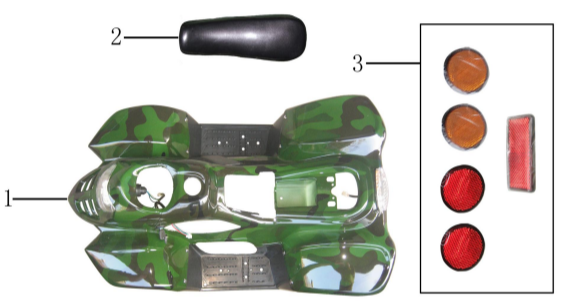
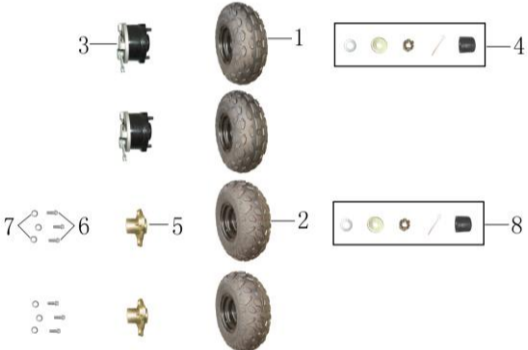
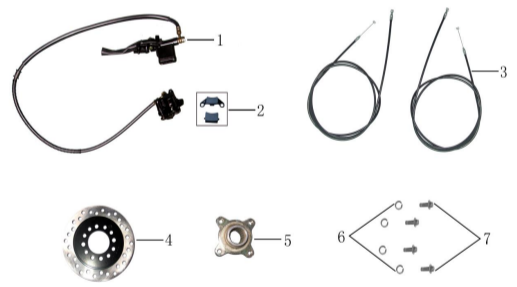
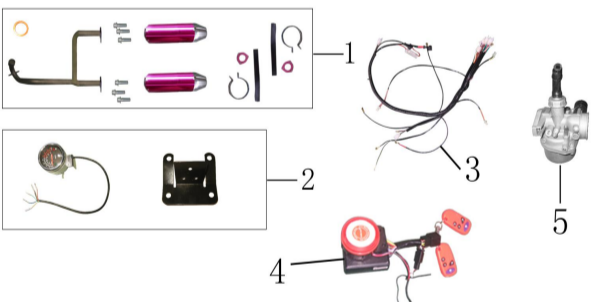
MODEL

YB110&YB70

STYLE

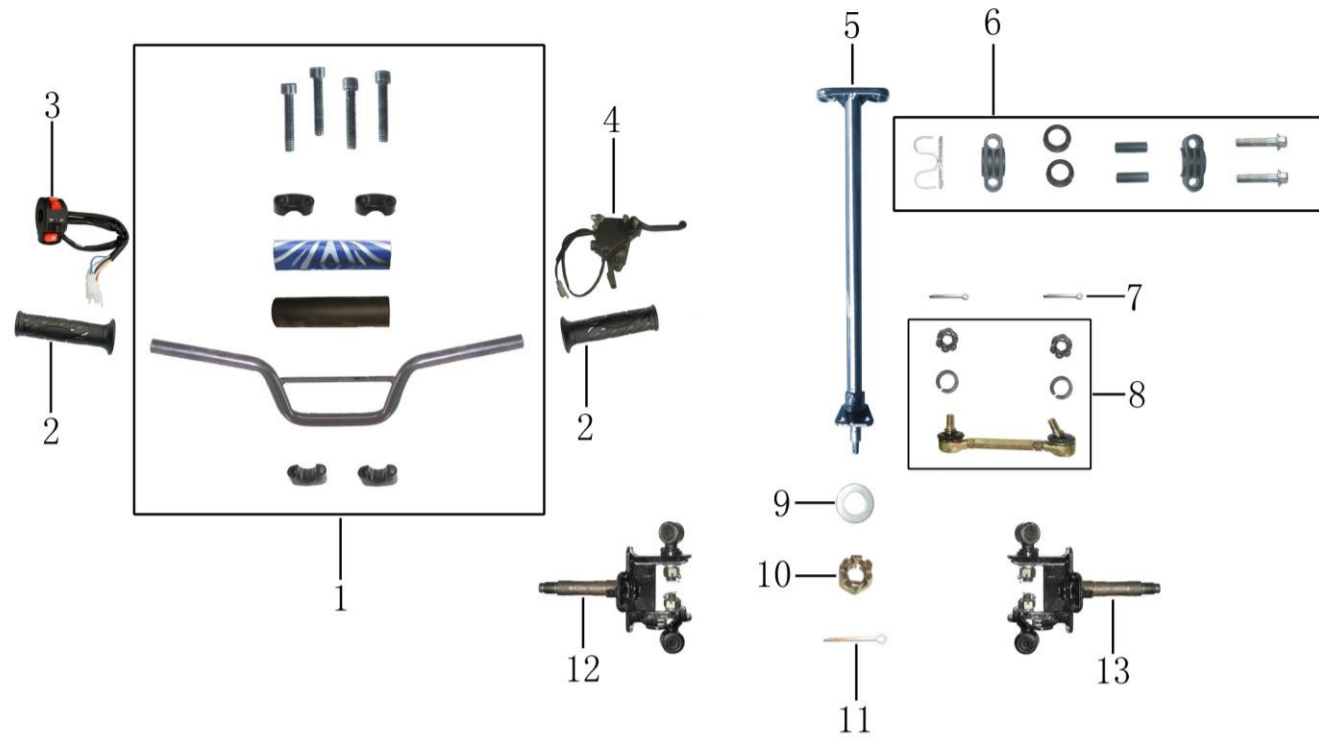


PARTS SYSTEM

1	FRAME SYSTEM	2	STEERING SYSTEM	3	SUSPENSION SYSTEM				
				4	ELECTRIC SYSTEM	5	TRANSMISSION SYSTEM	6	FUEL TANK
				7	REAR AXLE	8	BODY KITS	9	WHEEL COMPLETE
				10	HYDRAULIC BRAKE	11	OPTION PARTS		
									

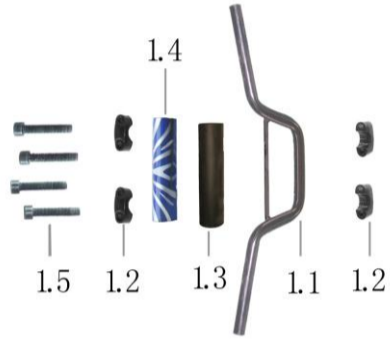
2. STEERING SYSTEM

LE
VE
L1

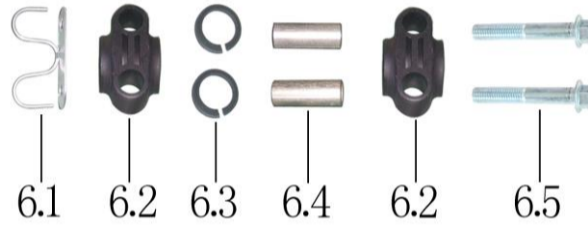


LE
VE
L2

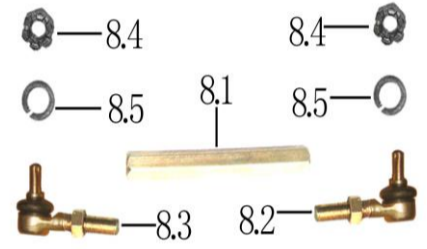
1



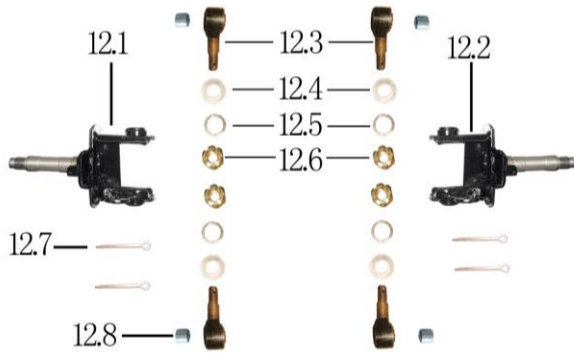
6



8

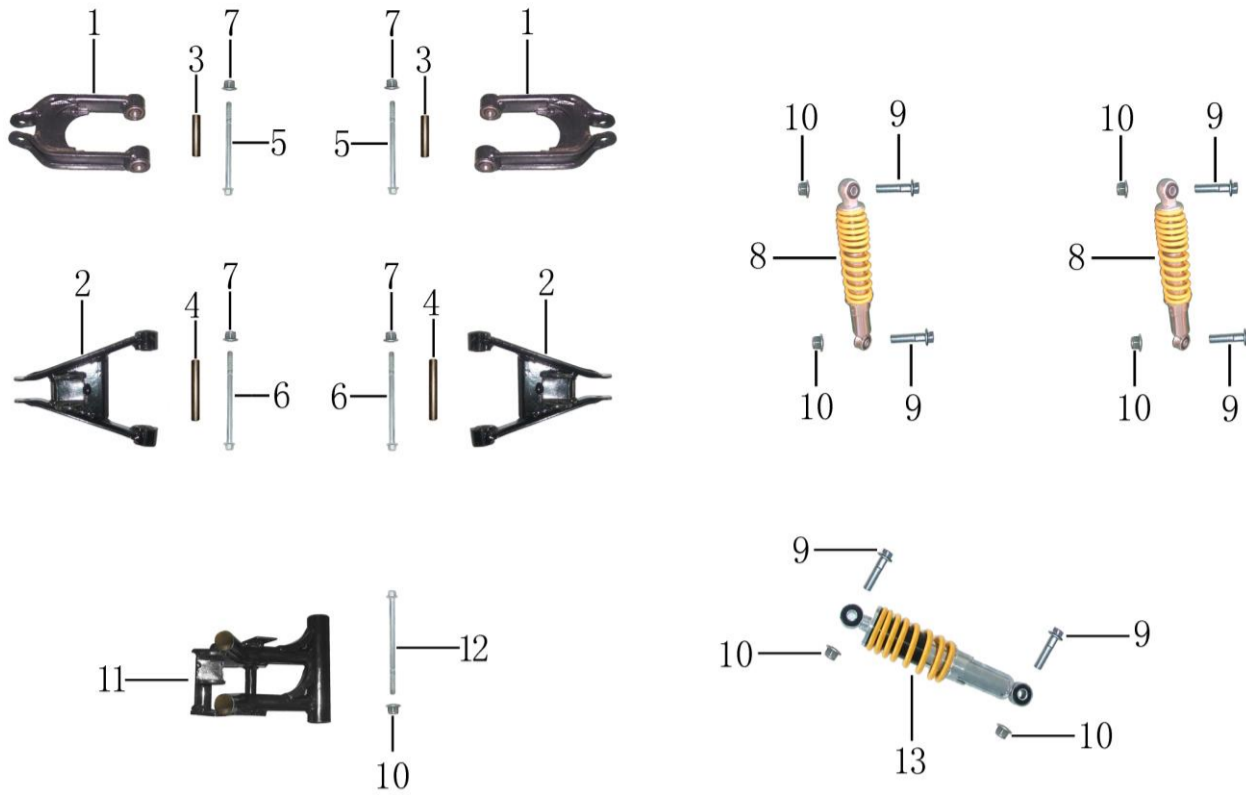


12

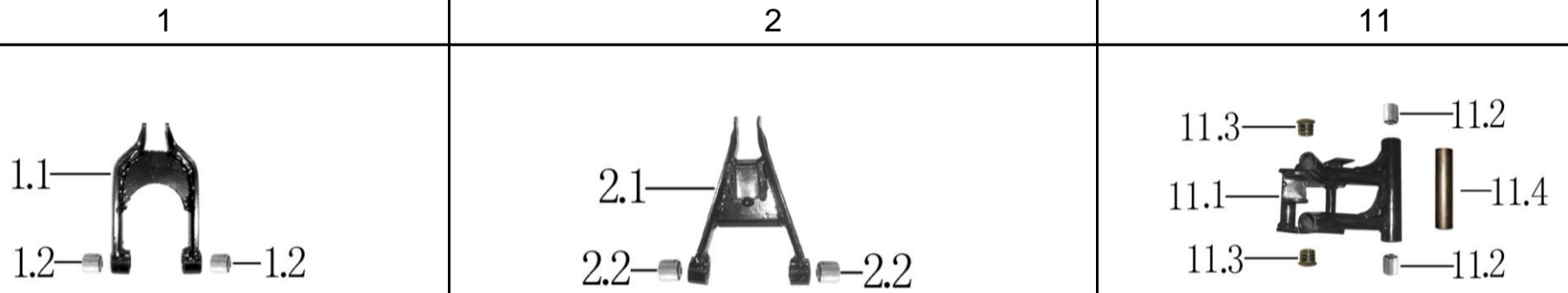


3.SUSPENSION SYSTEM

LEVEL 1



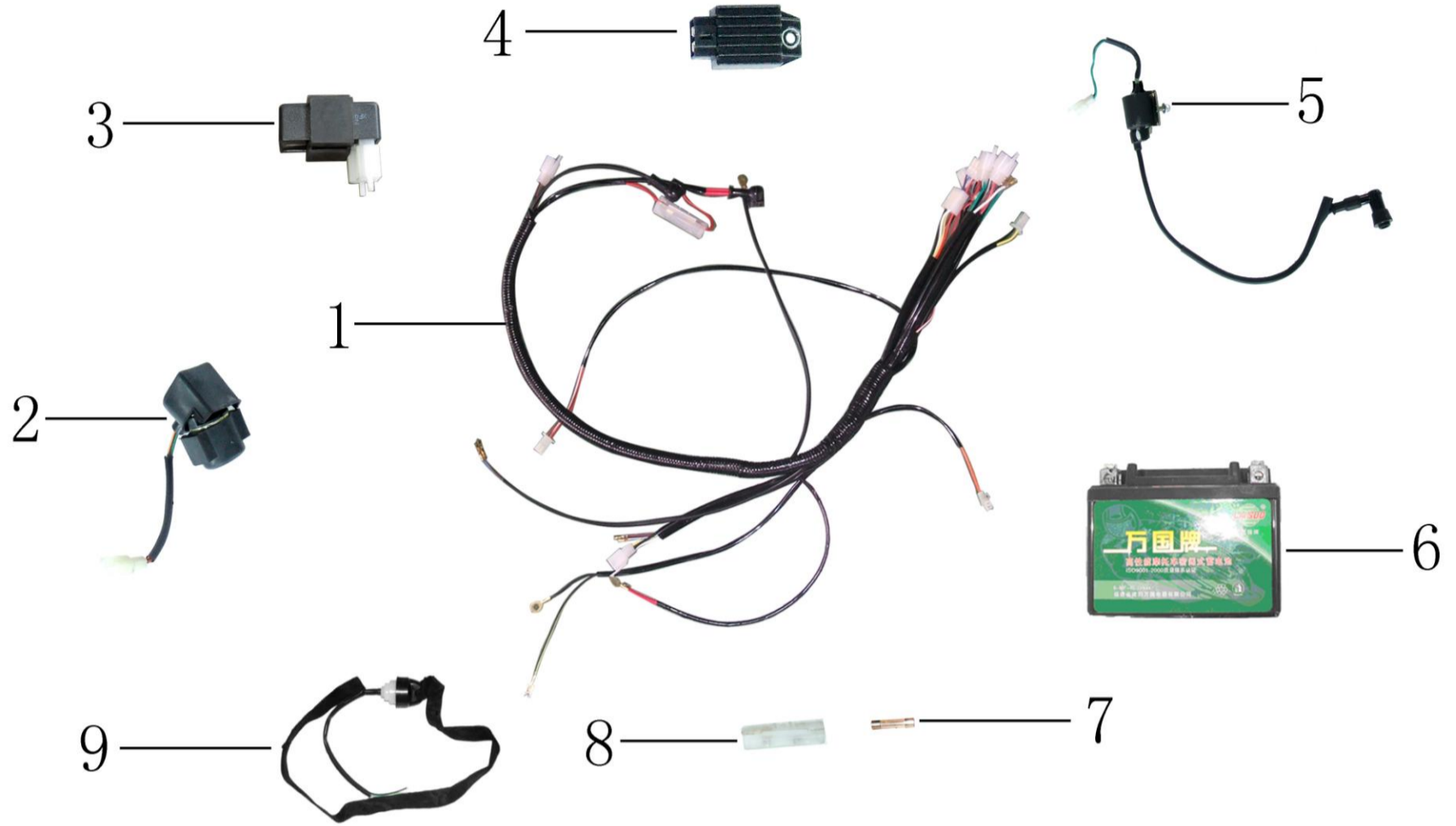
LEVEL 2



REF NO.	level 1 NO.	PART NO.	DESCRIPTION	REMARK	QTY	level 2 NO.	PART NO.	DESCRIPTION	REMARK	QTY
1	1	YF000N100000000	UPPER A-ARM ASSY	前上摇架组件	2	1.1	YF000N110000000	FRONT UPPER A-ARM	前上摇架	2
2						1.2	Q5D08D20L000200000	BUFFERING COLLAR d8*D19.5*L20	缓冲套	2
3										
4	2	YF000N100000001	LOWER A-ARM ASSY	前下摇架组件	2	2.1	YF000N110000001	FRONT LOWER A-ARM	前下摇架	2
5						2.2	Q5D08D20L000200000	BUFFERING COLLAR d8*D19.5*L20	缓冲套	2
6										
7	3	YB000P110000003	METAL BUSH d8*D12*L50	金属隔套	2					
8										
9	4	YB000P110000002	METAL BUSH d8*D12*L78	金属隔套	2					
10										
11	5	G587M08L110D88ZS0	BOLT M8*110	六角法兰面螺栓B级	2					
12	6	G587M08L140D88ZS0	BOLT M8*140	六角法兰面螺栓B级	2					
13	7	Q141M08D08ZS0	NUT M8	六角法兰面自锁螺母	4					
14	8	YF000N310000000	FRONT SHOCK L270	前减震器	2					
15	9	G587M10L40D88ZS0	BOLT M10*40	六角法兰面螺栓B级	6					
16	10	Q141M10D08ZS0	NUT M10	六角法兰面自锁螺母	7					
17	11	YF000N200000000	REAR SWING ARM ASSY	后平叉组件	1	11.1	YF000N20PB00000	REAR SWING ARM	后平叉	1
18						11.2	Q5D10D28L000300000	BUFFERING COLLAR	缓冲套	2
19						11.3	YF000N160000000	RUBBER PLUG	橡胶堵头	2
20						11.4	YB000P110000000	METAL BUSH d10*D14*L94	金属隔套	1
21										
22	12	G587M10L175D88ZS0	BOLT M10*175	六角法兰面螺栓B级	1					
23	13	YF000N310000001	REAR SHOCK L230	后减震器	1					

4.ELECTRIC SYSTEM

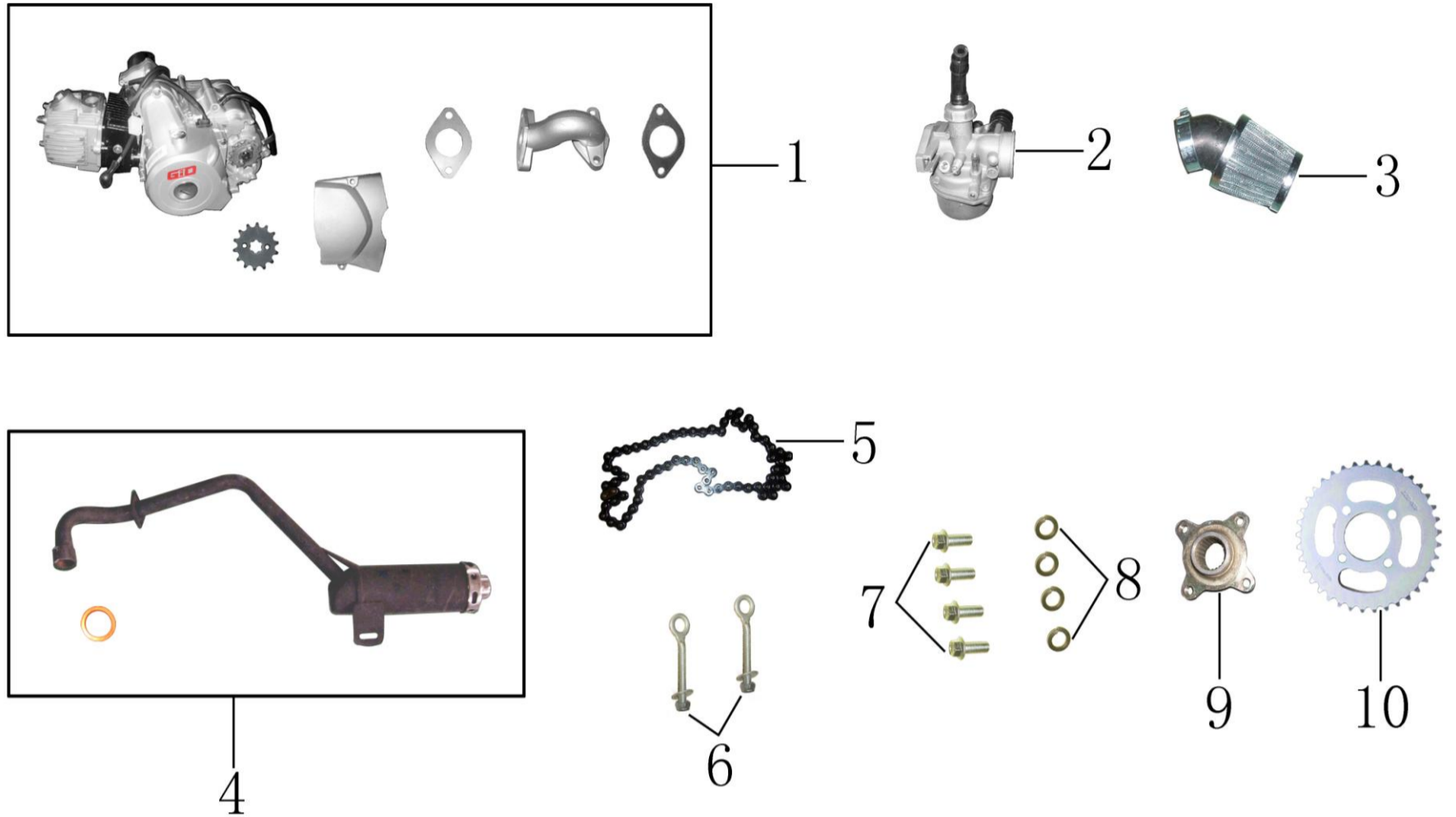
LE
VE
L1



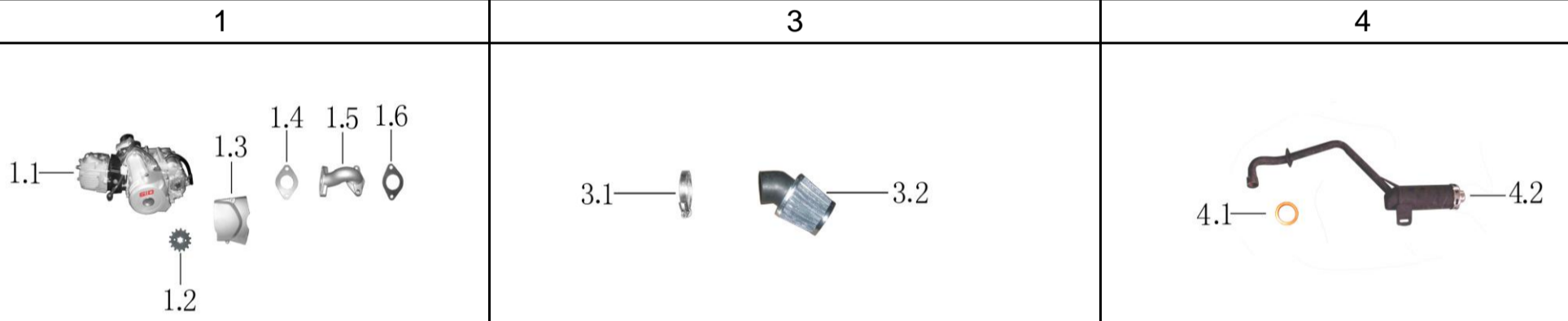
REF NO.	level 1 NO.	PART NO.	DESCRIPTION	REMARK	QTY	level 2 NO.	PART NO.	DESCRIPTION	REMARK	QTY
1	1	YB000D110000001	WIRE HARNESS	主电缆	1					
2	2	YS000D430000000	STARTER RELAY	继电器	1					
3	3	YS000D410000000	C.D.I	点火器	1					
4	4	YS000D440000000	REGULATOR	整流器	1					
5	5	YS000D420000000	IGNITION COIL	高压包	1					
6	6	YS000D610000000	BATTERY	蓄电池	1					
7	7	SB000D220000000	FUSE	保险丝	1					
8	8	SB000D220000001	FUSE BOX	保险丝盒	1					
9	5	YS000D730000000	EMERGENCE KILL SWITCH	紧急熄火开关	1					

5. TRANSMISSION SYSTEM

LE
VE
L1



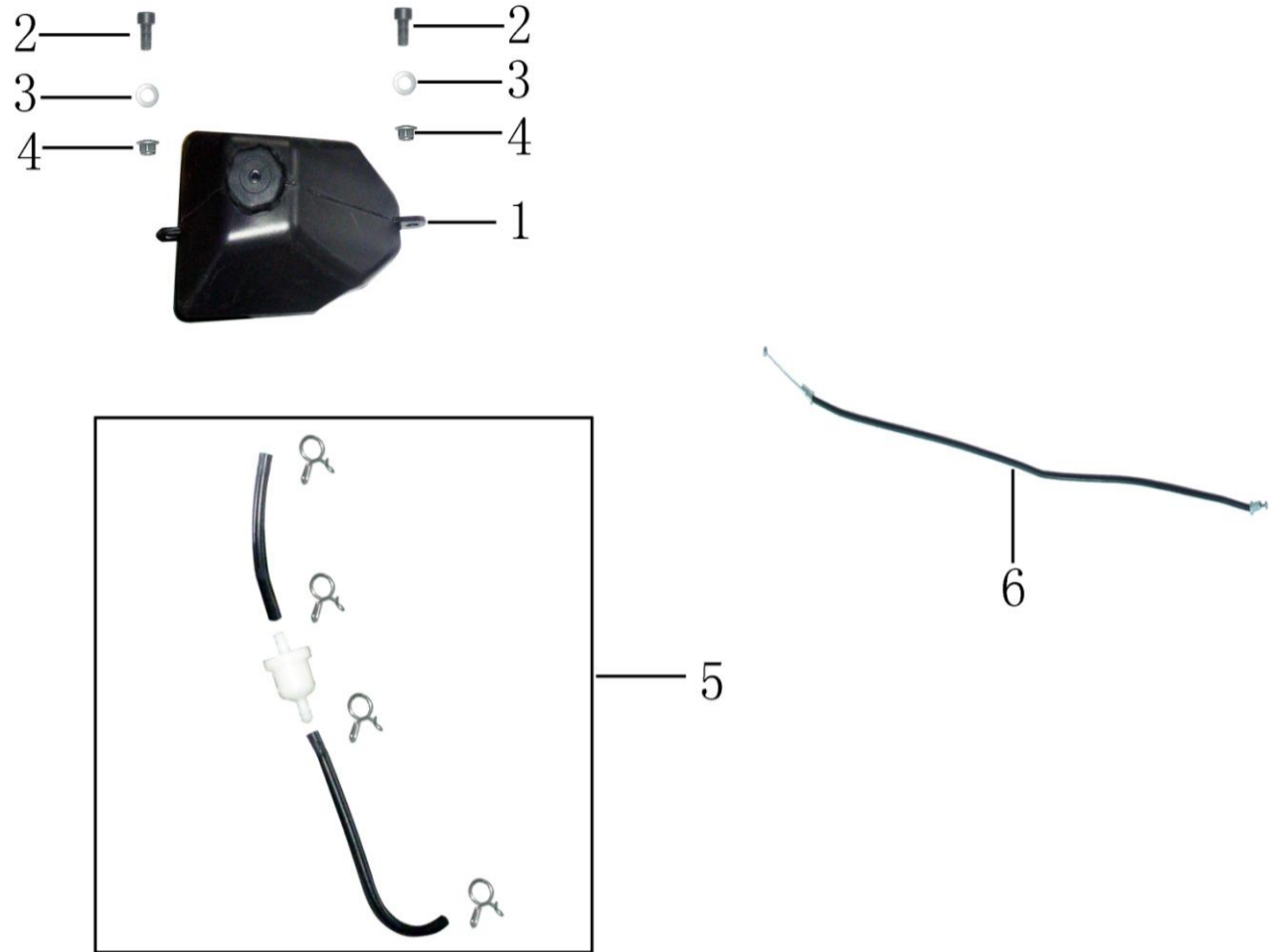
LE
VE
L2



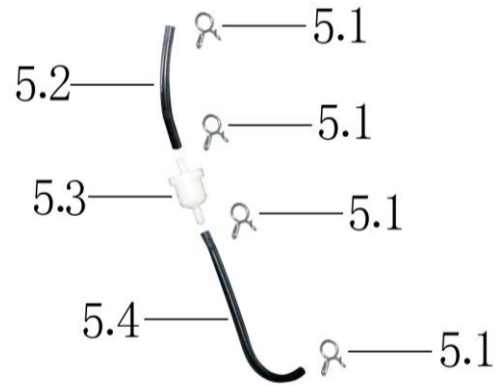
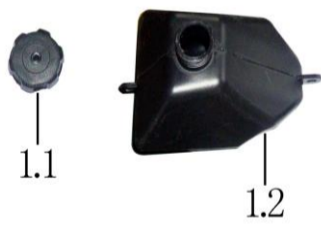
REF NO.	level 1 NO.	PART NO.	DESCRIPTION	REMARK	QTY	level 2 NO.	PART NO.	DESCRIPTION	REMARK	QTY
1	1	YB000J000000000	ENGINE ASSY	发动机组件	1	1.1	YB000J100000000	ENGINE	发动机	1
2						1.2	YS000M10YB00000	FRONT SPROCKET	输出链轮	1
3						1.3	YF000J110000000	ENGINE CHAIN GUARD	发动机链盖	1
4						1.4	YS000E910000002	INTAKE MANIFOLD GASKET	进气管密封垫	1
5						1.5	YS000E910000000	INTAKE MANIFOLD	进气管	1
6						1.6	YS000E910000001	INTAKE MANIFOLD GASKET(PLASTIC)	进气管塑料密封垫	1
7										
8										
9	2	YH000E510000000	CARBURETOR	化油器	1					
10	3	PS000A000000000	AIR FILTER ASSY	空气滤清器组件	1	3.1	Q620AD45ZS0	CIRCLIP	A型蜗杆传动式软管环箍	1
11						3.2	PS000A300000000	AIR FILTER	空气滤清器	1
12	4	YB000A000000000	EXHAUST	排气消声器组件	1	4.1	YS000A440000000	MUFFLER SEAL	排气消声器密封圈	1
13						4.2	YB000A200000001	MUFFLER	排气消声器	1
14	5	JCASI4200701YB0	CHAIN	链条	1					
15	6	YF000M120000000	CHAIN ADJUSTER	链条调节器	2					
16	7	G587M08L20D88ZS0	BOLT M8*20	六角法兰面螺栓B级	4					
17	8	G093M08S21B21000	WASHER d8	弹簧垫圈	4					
18	9	YS000M65ZG00000	SPROCKET FLANGE	链盘法兰	1					
19	10	YS000M100000000	REAR SPROCKET	后链盘	1					

6.FUEL TANK

LEVEL 1



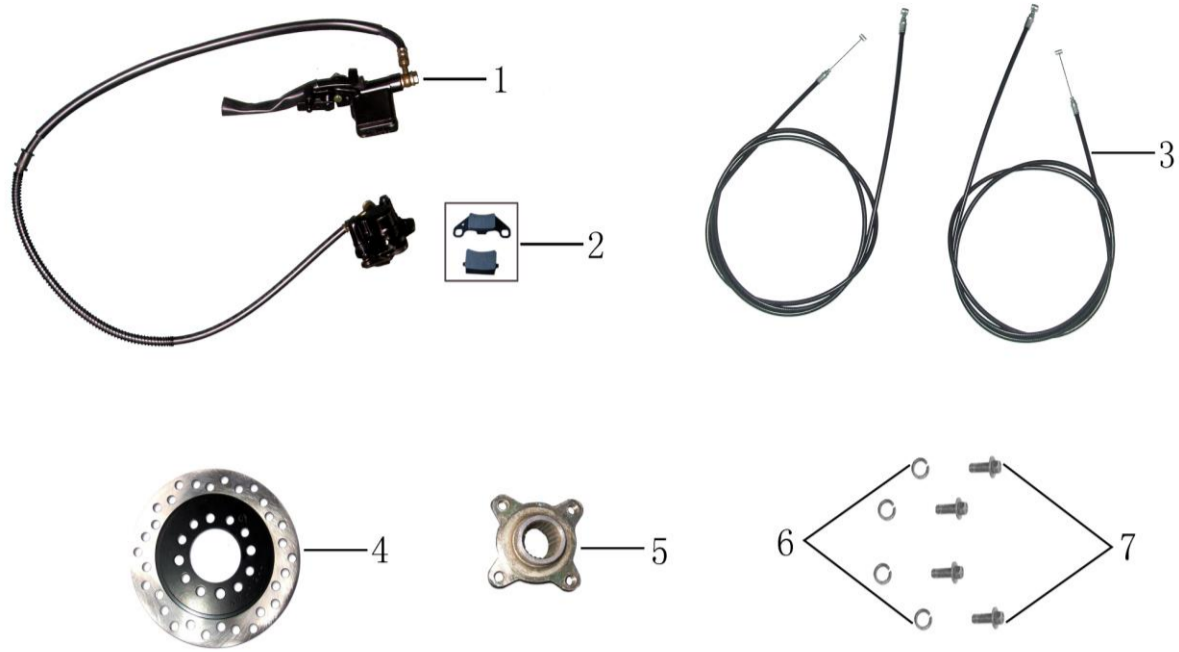
LEVEL 2



REF NO.	level 1 NO.	PART NO.	DESCRIPTION	REMARK	QTY	level 2 NO.	PART NO.	DESCRIPTION	REMARK	QTY
1	1	YX000E100000000	FUEL TANK ASSY	燃油箱组件	1	1.1	YX000E150000000	FUEL TANK CAP	燃油箱盖	1
2						1.2	YX000E110000000	FUEL TANK	燃油箱	1
3	2	G702M06L20C00ZS0	SCREW M6*20	内六角平圆头螺钉	2					
4	3	Q051M6D16H02ZS0	WASHER	平垫圈	2					
5	4	Q141M06C08ZS0	NUT M6	六角法兰面自锁螺母	2					
6	5	YF000E200000000	FUEL FILTER	燃油过滤器组件	1	5.1	Q621AB7000	CIRCLIP B7	钢丝弹性环箍	4
7						5.2	YF000E610000000	FUEL TUBE	燃油管	1
8						5.3	SB000E210000000	FUEL FILTER	燃油过滤器	1
9						5.4	YF000E610000001	FUEL TUBE	燃油管	1
10	6	YS000M220000000	THROTTLE CABLE 735*75	油门拉线	1					
11										

10. HYDRAULIC BRAKE

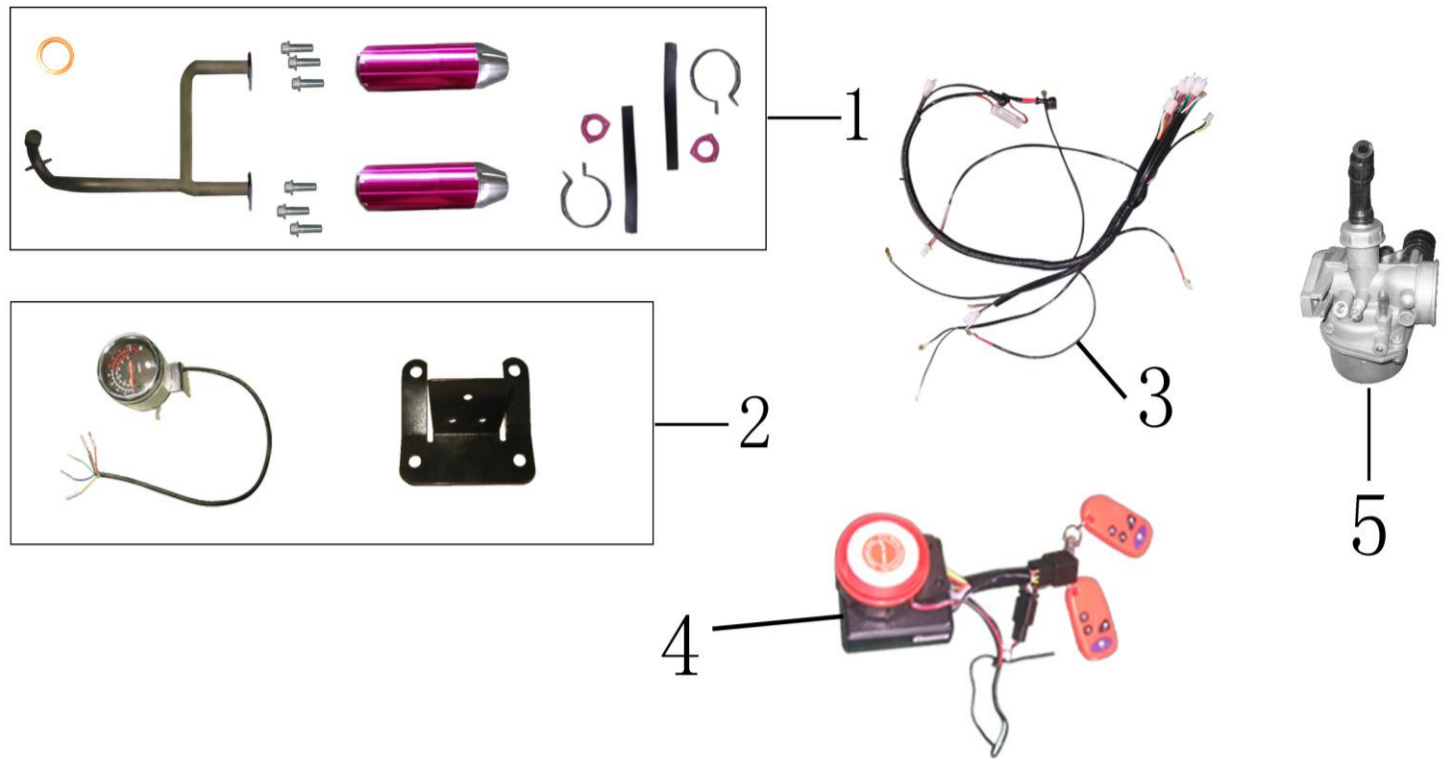
LEVEL 1



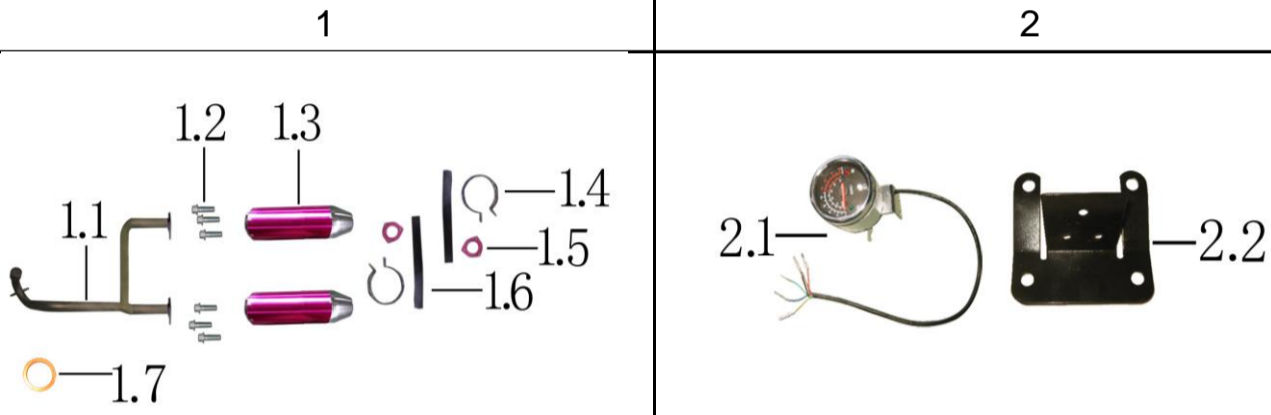
REF NO.	level 1 NO.	PART NO.	DESCRIPTION	REMARK	QTY	level 2 NO.	PART NO.	DESCRIPTION	REMARK	QTY
1	1	YS000M800000004	REAR CALIPER	后盘式制动器	1					
2	2	YF000M810000000	REAR BRAKE PADS	后制动蹄块	1					
3	3	YF000M800000000	FRONT BRAKE CABLE	前制动拉线	2					
4	4	YS000M820000000	REAR ROTOR	后制动盘	1					
5	5	YS000M85ZG00000	ROTOR FLANGE	后制动盘法兰	1					
6	6	G093M08S21B21000	WASHER d8	弹簧垫圈	4					
7	7	G587M08L16D88ZS0	BOLT M8*16	六角法兰面螺栓B级	4					

11.OPTION PARTS

LE
VE
L1



LE
VE
L2



REF NO.	level 1 NO.	PART NO.	DESCRIPTION	REMARK	QTY	level 2 NO.	PART NO.	DESCRIPTION	REMARK	QTY
1	1	YB000A200000002	ALUMINIUM EXHAUST ASSY	排气管组件	1	1.1	YB000A210000000	EXHAUST PIPE	排气消声器管	1
2						1.2	G587M08L20D88ZS0	BOLT M8*20	六角法兰面螺栓B级	6
3						1.3	YB000A400000000	MUFFLER	排气消声器筒	2
4						1.4	PB000A450000000	MUFFLER CIRCLIP	排气消声器抱箍(抱扣)	2
5						1.5	YB000A450000000	EXHAUST SEAL GASKET	排气消声器密封垫	2
6						1.6	PB000A450000001	MUFFLER CIRCLIP RUBBER GASKET	排气消声器抱箍(抱扣)橡胶垫	2
7						1.7	YS000A440000000	MUFFLER SEAL	排气消声器密封圈	1
8										
9						2	YF000H000000000	SPEEDOMETER ASSY	仪表组件	1
10	2.2	YF000B450000000	SPEEDOMETER BRACKET	仪表支架	1					
11										
12	3	YB000D110000002	WIRE HARNESS	主电缆	1					
13	4	YB000D530000000	ALARM MODULE	双遥控器	1					
14	5	YH000E510000000	MIKUNI CARB	化油器(三国)	1					