

PARTS MANUAL

MODEL

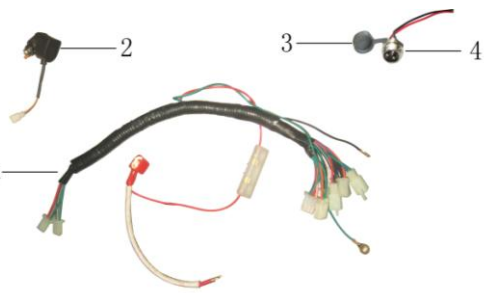
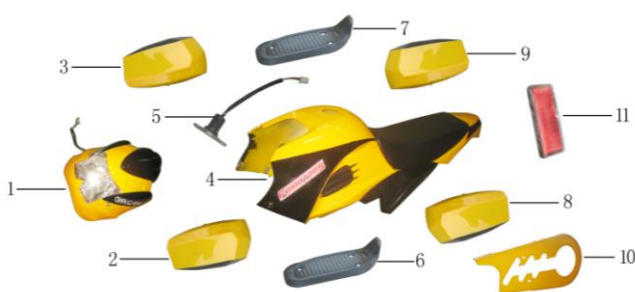
YA49

STYLE

YA000-049-0000



PARTS SYSTEM

1	FRAME SYSTEM	2	STEERING SYSTEM	3	SUSPENSION SYSTEM
					
4	ELECTRIC SYSTEM	5	TRANSMISSION SYSTEM	6	FUEL TANK
					
7	REAR AXLE	8	BODY KITS	9	WHEEL COMPLETE
					
10	HYDRAULIC BRAKE				
					

1. FRAME SYSTEM

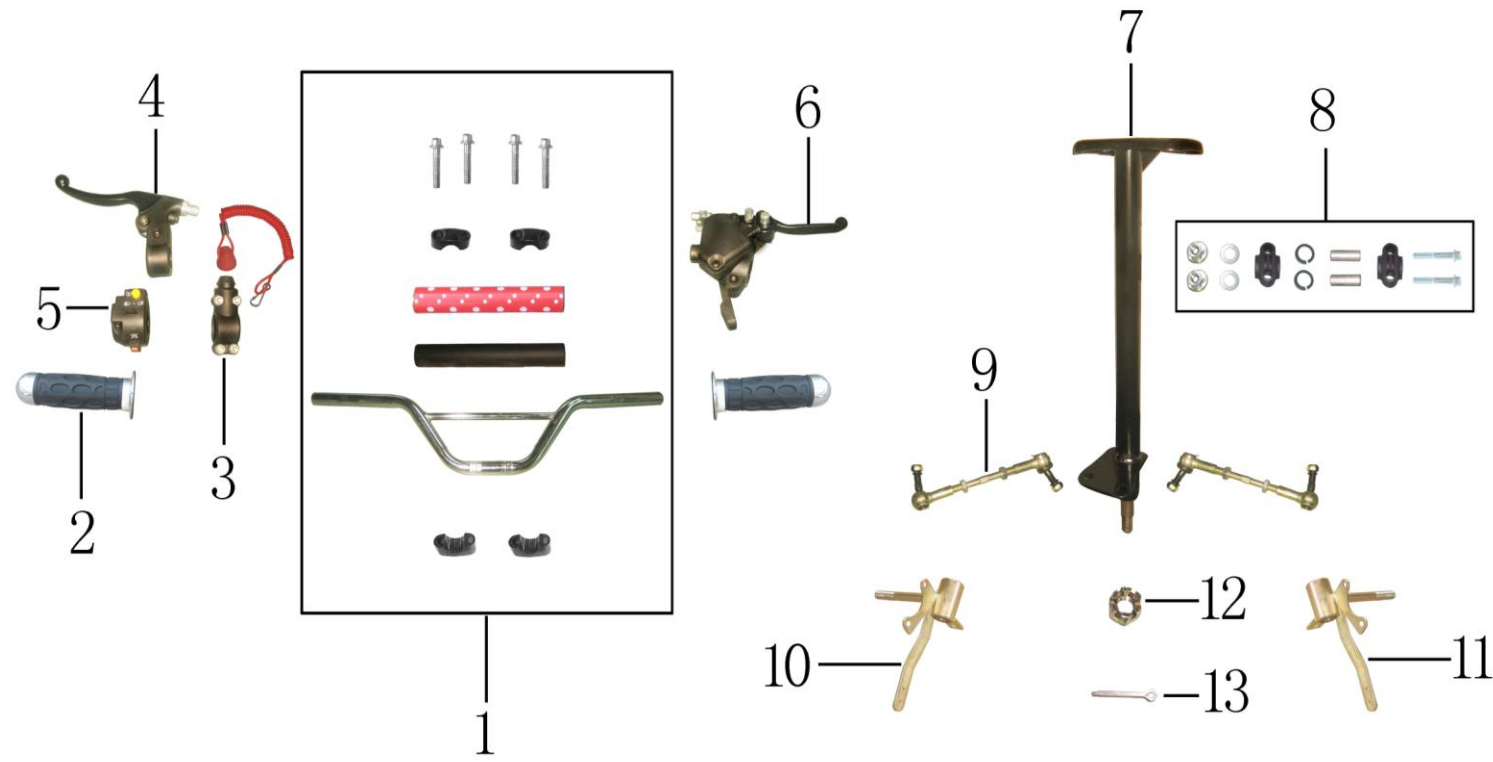
LEVEL 1



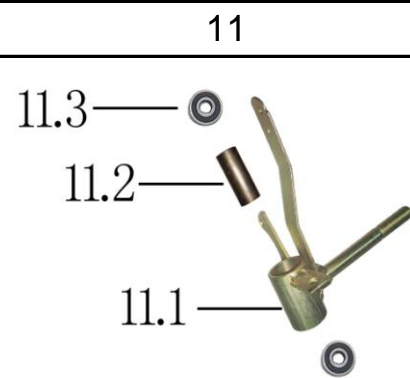
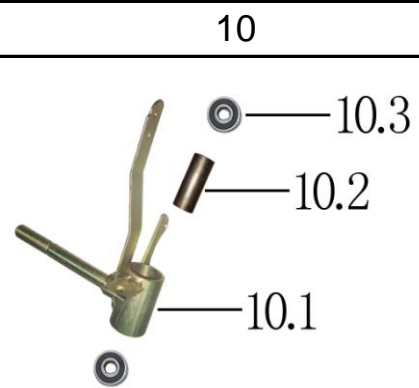
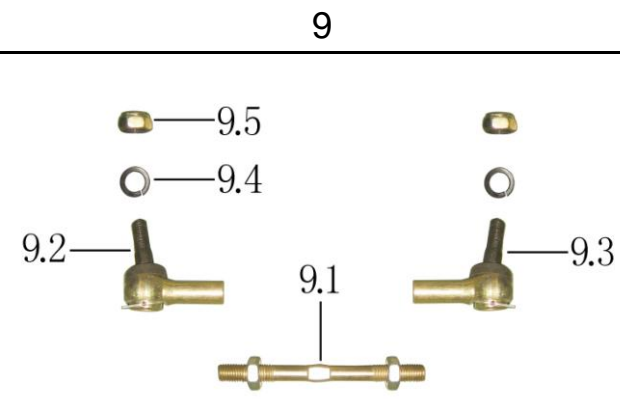
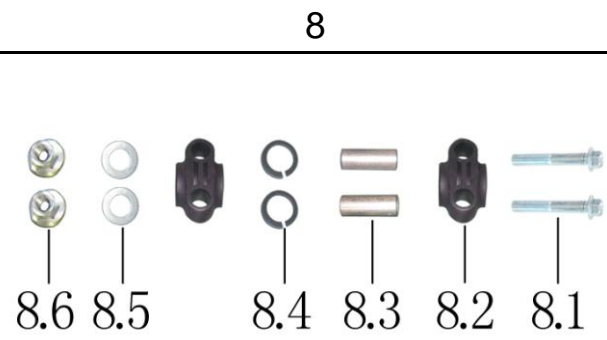
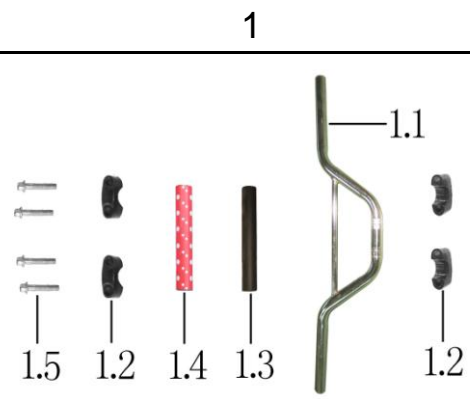
REF NO.	level 1 NO.	PART NO.	DESCRIPTION	REMARK	QTY	level 2 NO.	PART NO.	DESCRIPTION	REMARK	QTY
1	1	YA000B100000000	FRAME	车架	1					
2	2	YA000Z610000000	NAMEPLATE	车辆铭牌	1					
3	3	G618D004L016ZS0	RIVET 4*16	开口型扁圆头抽芯铆钉	2					
4	4	YA000B420000001	BATTERY BOX	电池盒	1					

2. STEERING SYSTEM

LE
VE
L1



LE
VE
L2

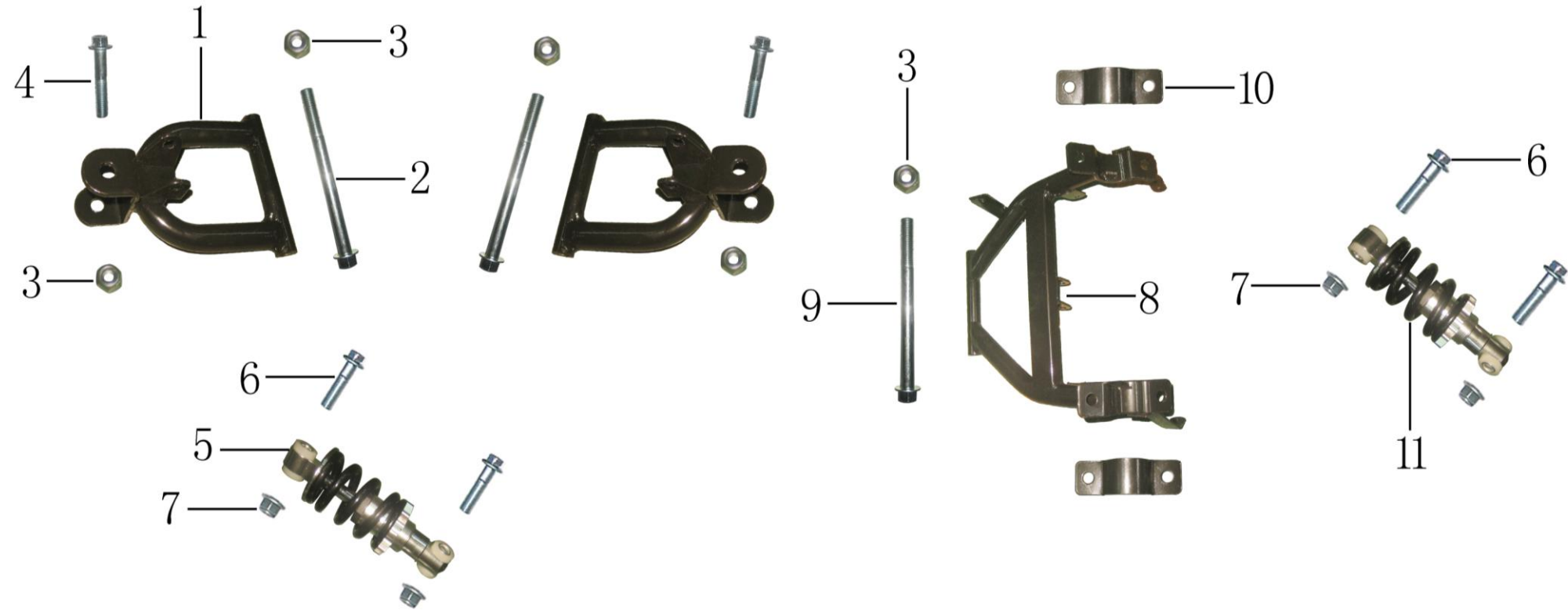


REF NO.	level 1 NO.	PART NO.	DESCRIPTION	REMARK	QTY	level 2 NO.	PART NO.	DESCRIPTION	REMARK	QTY
1	1	YA000C100000000	HANDLE BAR ASSY	把手管组件	1	1.1	YA000C110000000	HANDLE	把手管	1
2						1.2	YS000C220000000	HANDLE FIXER	把手管固定块	4
3						1.3	YA000C160000000	HANDLE COVER	把手管海棉套	1
4						1.4	YA000C160000001	HANDLE COVER	把手管海棉外套	1
5						1.5	G587M08L50D88ZS0	BOLT M8*50	六角法兰面螺栓B级	4
6	2	YA000C150000000	HAND GRIP	把手套	2					
7										
8	3	YA000D730000000	EMERGENCE KILL SWITCH	紧急熄火开关	1					
9	4	YA000M800000000	LEFT BRAKE HANDLE	左刹把	1					
10	5	YA000D710000000	STARTING SWITCH	左组合开关	1					
11	6	YS000D810000000	THROTTLE CONTROL	加油器组件	1					
12	7	YA000C310000000	STEERING POLE	方向柱	1					
13	8	YA000C260000000	STEERING CLIP ASSY	方向柱固定件	1	8.1	G587M08L55D88ZS0	BOLT M8*55	六角法兰面螺栓B级	2
14						8.2	YS000C220000001	CLIP	方向柱固定块	2
15						8.3	YB000P110000001	STEERING BUSH d10*D14*L40	金属隔套	2
16						8.4	YS000C240000001	RUBBER MAT	方向柱密封圈	2
17						8.5	G971M10D20H02ZS0	WASHER d10	平垫圈	2
18						8.6	Q141M08D08ZS0	NUT M8	六角法兰面自锁螺母	2
19										
20	9	YA000C320000001	STEERING LINK L50	转向拉杆组件	2	9.1	YA000C320000002	TIE-ROD	转向拉杆主体	1
21						9.2	YA000C330000000	LINK KNUCKLE I	转向拉杆球头(正丝)	1
22						9.3	YA000C330000001	LINK KNUCKLE II	转向拉杆球头(反丝)	1
23						9.4	G093M08S21B21000	WASHER d8	弹簧垫圈	2
24						9.5	G889M08D05ZS0	NUT M8	非金属嵌件六角锁紧螺母	2

25	10	YA000C400000000	STEERING KNUCKLE(LF) ASSY	左转向节组件	1	10.1	YA000C410000000	STEERTING KNUCKLE(LF)	左转向节	1
26						10.2	TA000P11YB00000	STEERING BUSH d11*D14*L31	金属隔套	1
27						10.3	G276BZ6000-Z	BEARING 6000Z	深沟球轴承	2
28										
29										
30	11	YA000C400000001	STEERING KNUCKLE(RH) ASSY	右转向节组件	1	11.1	YA000C410000001	STEERTING KNUCKLE(RH)	右转向节	1
31						11.2	TA000P11YB00000	STEERING BUSH d11*D14*L31	金属隔套	1
32						11.3	G276BZ6000-Z	BEARING 6000Z	深沟球轴承	2
33										
34										
35	12	G181M10E08ZG0	NUT M10	六角开槽螺母	1					
36	13	GB91D3P2L040ZS0	COTTER PIN d3.2*40	开口销	1					

3.SUSPENSION SYSTEM

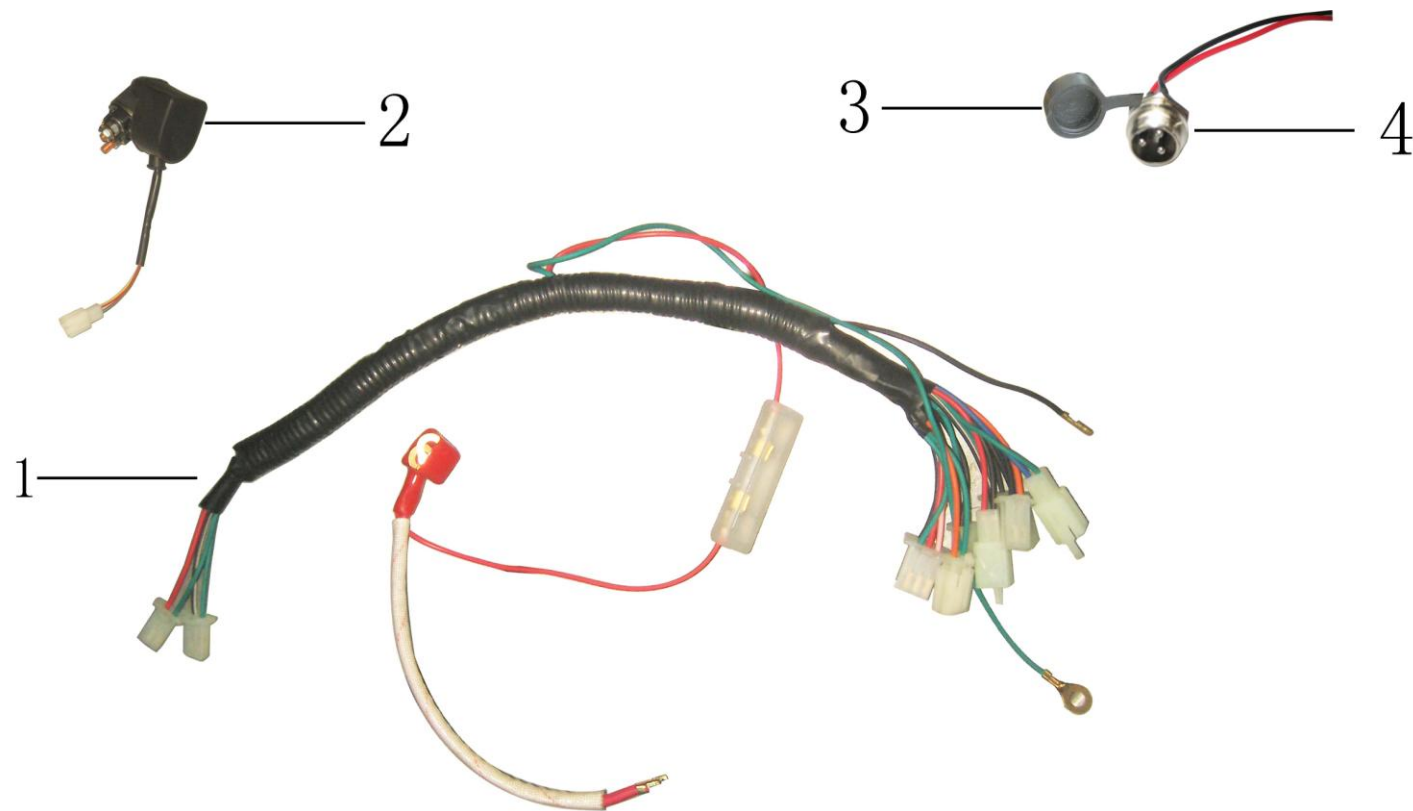
LE
VE
L1



REF NO.	level 1 NO.	PART NO.	DESCRIPTION	REMARK	QTY	level 2 NO.	PART NO.	DESCRIPTION	REMARK	QTY
1	1	YA000N100000000	LOWER A-ARM	下摇架	2					
2	2	G587M10L130D88ZS0	BOLT M10*130	六角法兰面螺栓B级	2					
3	3	Q141M10D08ZS0	NUT M10	六角法兰面自锁螺母	5					
4	4	G587M10L70D88ZS0	BOLT M10*70	六角法兰面螺栓B级	2					
5	5	YA000N310000000	REAR SHOCK L125	前减震器	2					
6	6	G587M08L40D88ZS0	BOLT M8*40	六角法兰面螺栓B级	6					
7	7	Q141M08D08ZS0	NUT M8	六角法兰面自锁螺母	6					
8	8	YA000N200000000	REAR SWING ARM	后平叉	1					
9	9	G587M10L145D88ZS0	BOLT M10*145	六角法兰面螺栓B级	1					
10	10	YA000B420000002	HOOP	轴承固定抱箍	2					
11	11	YA000N310000001	REAR SHOCK L125	后减震	1					

4.ELECTRIC SYSTEM

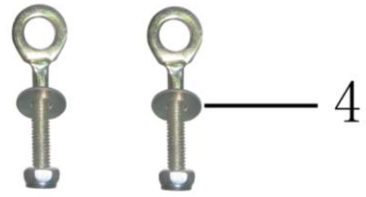
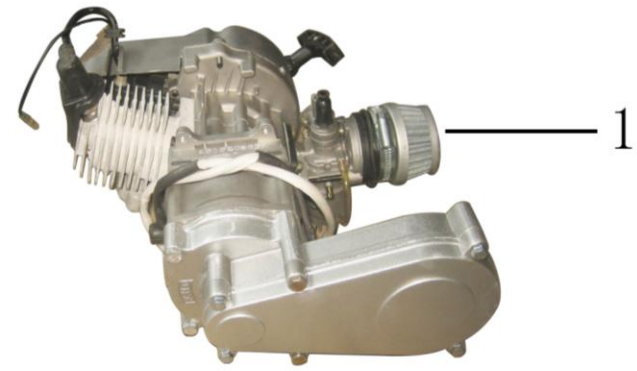
LE
VE
L1



REF NO.	level 1 NO.	PART NO.	DESCRIPTION	REMARK	QTY	level 2 NO.	PART NO.	DESCRIPTION	REMARK	QTY
1	1	YA000D110000000	WIRE HARNESS	主电缆	1					
2	2	YA000D430000000	STARTER RELAY	继电器	1					
3	3	YF000D620000002	CAP OF CHARGING MOUTH	充电口盖	1					
4										
5	4	YF000D620000001	CHARGING MOUTH	充电口	1					
6										

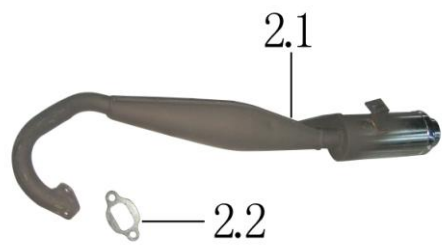
5. TRANSMISSION SYSTEM

LEVEL 1



LEVEL 2

2



REF NO.	level 1 NO.	PART NO.	DESCRIPTION	REMARK	QTY	level 2 NO.	PART NO.	DESCRIPTION	REMARK	QTY
1	1	YA000J100000000	ENGINE	发动机	1					
2	2	YA000A100000000	EXHAUST	排气消声器组件	1	2.1	YA000A200000000	MUFFLER	排气消声器	1
3						2.2	YA000A450000000	MUFFLER SEAL	排气消声器密封垫	1
4	3	JCASI25H1041YB0	CHAIN	链条	1					
5	4	YF000M120000000	CHAIN ADJUSTER	链条调节器	2					

6.FUEL TANK

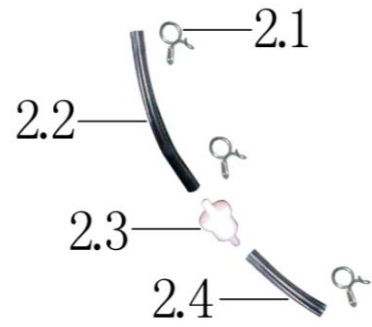
LE
VE
L1



1



2

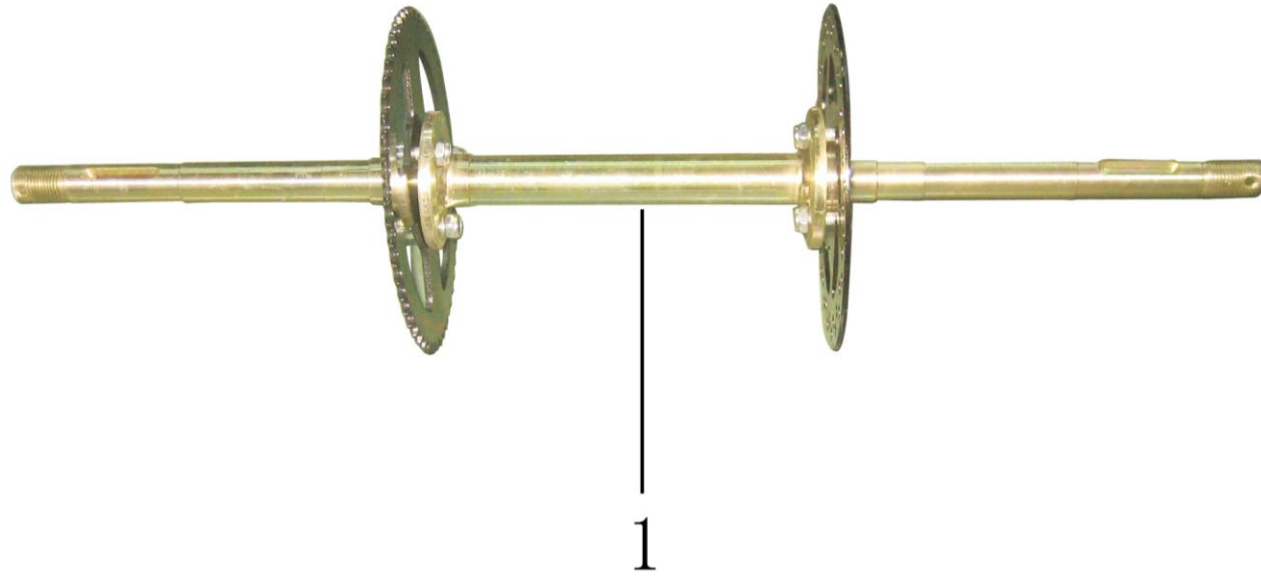


LE
VE
L2

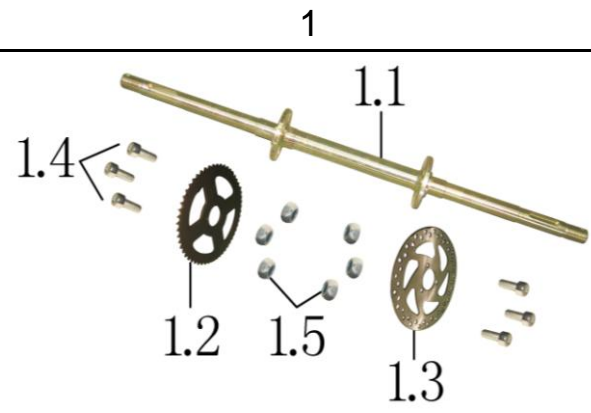
REF NO.	level 1 NO.	PART NO.	DESCRIPTION	REMARK	QTY	level 2 NO.	PART NO.	DESCRIPTION	REMARK	QTY
1	1	YA000E100000000	FUEL TANK ASSY	燃油箱组件	1	1.1	YA000E110000000	FUEL TANK	燃油箱	1
2						1.2	YA000E150000000	FUEL TANK CAP	燃油箱盖	1
3	2	YA000E200000000	FUEL FILTER	燃油过滤器组件	1	2.1	Q621AB7000	CIRCLIP B7	钢丝弹性环箍	1
4						2.2	YF000E610000000	FUEL TUBE	燃油管	1
5						2.3	YA000E210000000	FUEL FILTER	燃油过滤器	1
6						2.4	YA000E610000000	FUEL TUBE	燃油管	1
7	3	YA000M200000000	THROTTLE CABLE	油门拉线	1					
8										

7. REAR AXLE

LE
VE
L1



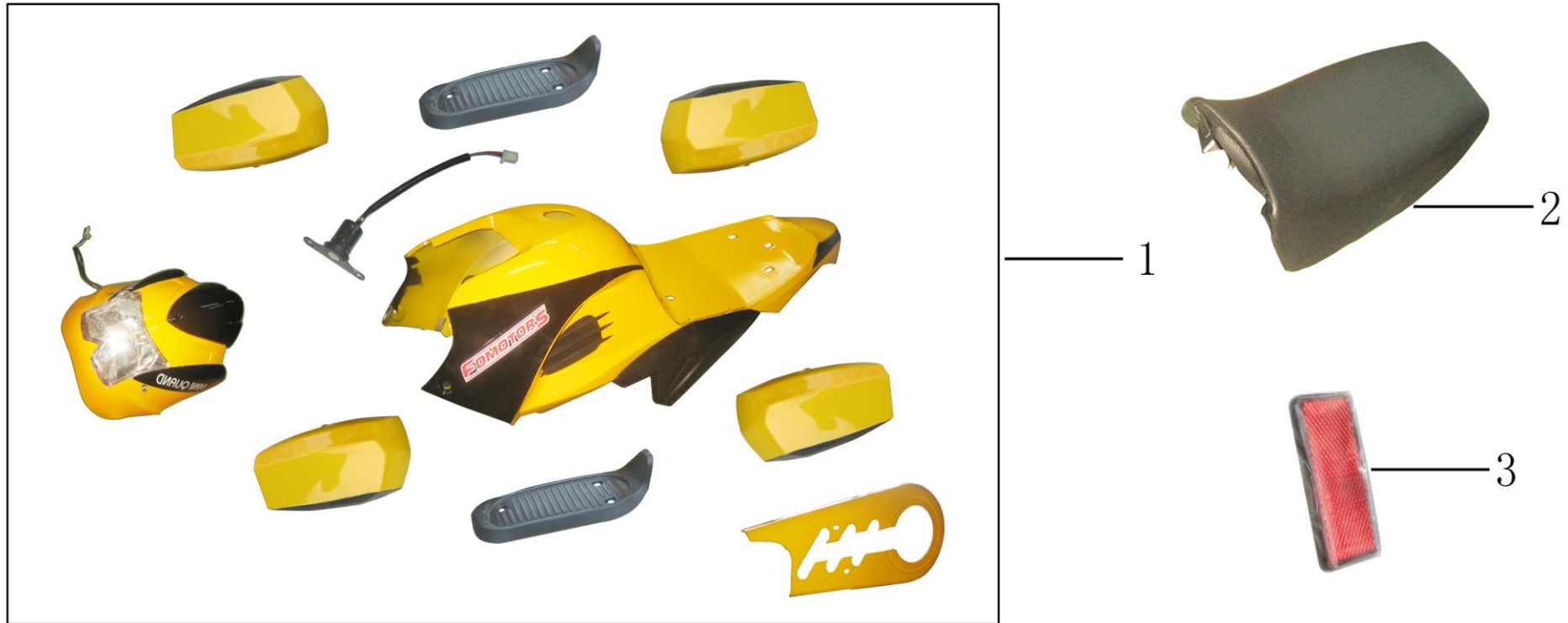
LE
VE
L2



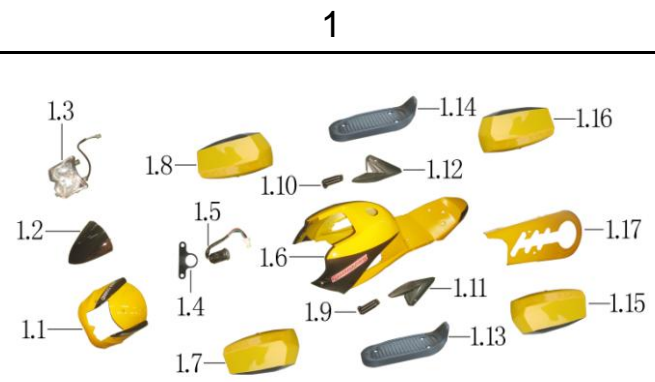
REF NO.	level 1 NO.	PART NO.	DESCRIPTION	REMARK	QTY	level 2 NO.	PART NO.	DESCRIPTION	REMARK	QTY
1	1	YA000M500000000	REAR AXLE ASSY	后桥总成组件	1	1.1	YA000M100000000	REAR AXLE L540	后桥传动轮轴	1
2						YA000M100000001	REAR SPROCKET	后链盘	1	
3						YA000M800000004	REAR ROTOR	后制动盘	1	
4						G701M06L20C00ZS0	BOLT M6*20	内六角圆柱头螺钉	6	
5						Q141M06C08ZS0	NUT M6	六角法兰面自锁螺母	6	

8.BODY KITS

LE
VE
L1

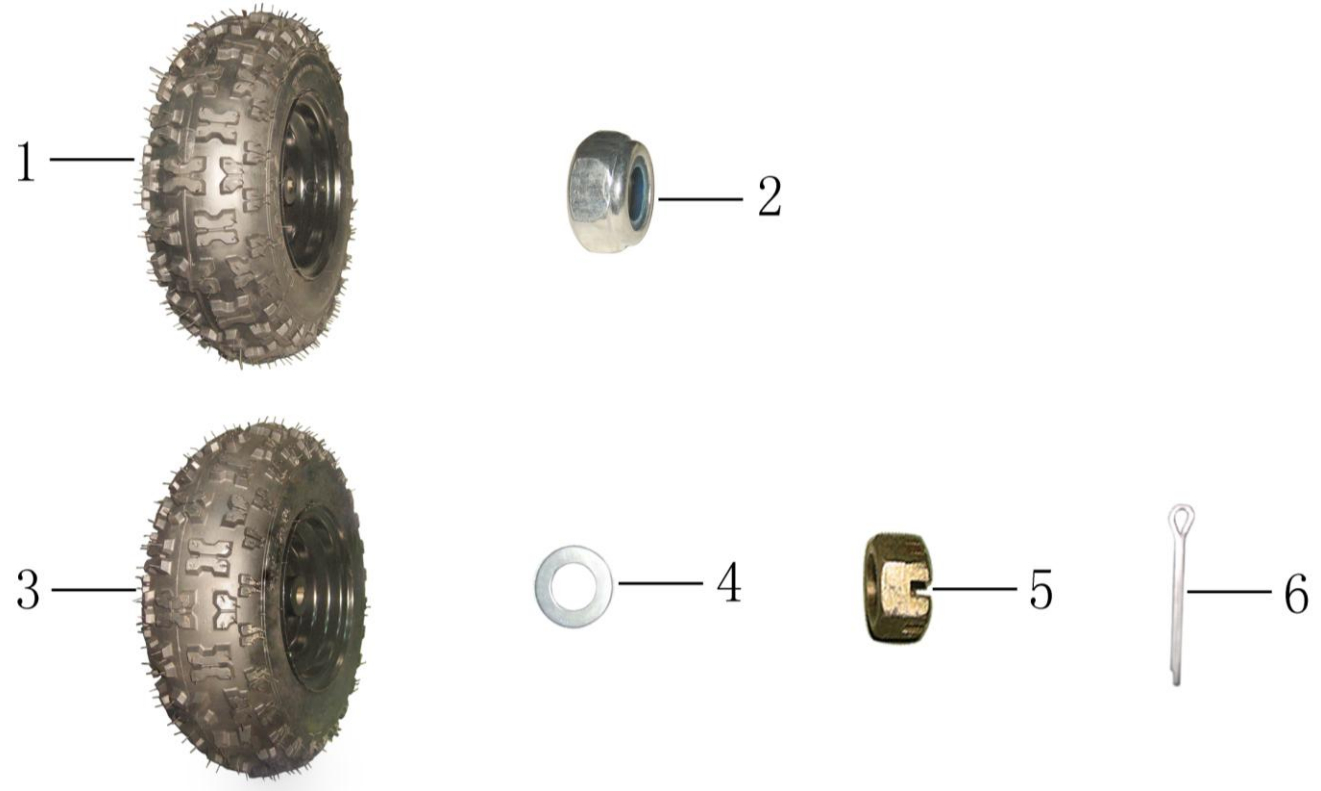


LE
VE
L2



9.WHEEL COMPLETE

LE
VE
L1



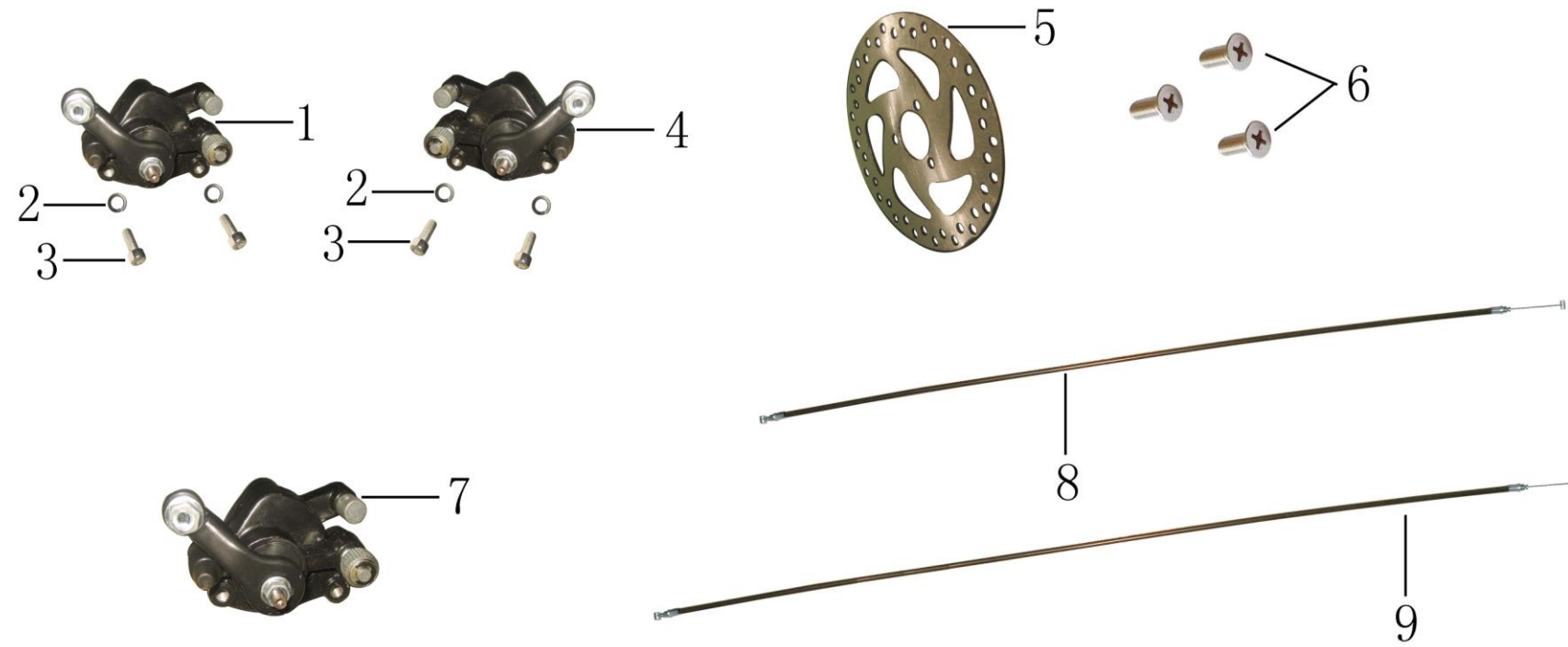
LE
VE
L2

1	3	
<p>1.1: Wheel 1.2: Nut 1.3: Washer 1.4: Spacer 1.5: Pin 1.6: Pin</p>	<p>3.1: Wheel 3.2: Nut 3.3: Pin 3.4: Pin</p>	

REF NO.	level 1 NO.	PART NO.	DESCRIPTION	REMARK	QTY	level 2 NO.	PART NO.	DESCRIPTION	REMARK	QTY
1	1	YA000M600000003	FRONT WHEEL COMPLETE	前轮组件	2	1.1	YA000M710000000	TIRE	真空胎	1
2						1.2	YA000P11YB00000	METAL BUSH d13*D16*L62.5	金属隔套	1
3						1.3	G276BZ6001-Z	BEARINGS 6001-Z	一面带防尘盖的深沟球 轴承	2
4						1.4	YA000M600000000	FRONT WHEEL HUB	前辐板轮	1
5						1.5	YS000M740000000	CYCLE VALVE	气门嘴	1
6						1.6	YS000M750000000	CYCLE VALVE CAP	气门嘴帽	1
7										
8										
9	2	Q141M12F08ZS0	NUT M12	六角法兰面自锁螺母	2					
10	3	YA000M600000004	REAR WHEEL COMPLETE	后轮组件	2	3.1	YA000M710000001	TIRE	真空胎	1
11						3.2	YA000M600000001	REAR WHEEL HUB	后辐板轮	1
12						3.3	YS000M740000000	CYCLE VALVE	气门嘴	1
13						3.4	YS000M750000000	CYCLE VALVE CAP	气门嘴帽	1
14	4	G971M16D30H03ZS0	WASHER d16	平垫圈	2					
15	5	G181M16E08ZG0	BOLT M16	六角开槽螺母	2					
16	6	GB91D004L040ZS0	COTTER PIN 4*40	开口销	2					

10. HYDRAULIC BRAKE

LEVEL 1



REF NO.	level 1 NO.	PART NO.	DESCRIPTION	REMARK	QTY	level 2 NO.	PART NO.	DESCRIPTION	REMARK	QTY
1	1	YA000M800000006	FRONT LEFT BRAKE CALIPER	前左盘式制动器	1					
2										
3	2	G859M06S13B02000	WASHER d6	弹簧垫圈	4					
4	3	G701M05L12B00ZS0	BOLT M5*16	内六角圆柱头螺钉	4					
5	4	YA000M800000007	FRONT RIGHT BRAKE CALIPER	前右盘式制动器	1					
6										
7	5	YA000M800000005	FRONT ROTOR	前制动盘	2					
8	6	G889M05B05ZS0	NUT M5	非金属嵌件六角锁紧螺母	6					
9										
10	7	YA000M800000008	REAR BRAKE CALIPER	后盘式制动器	1					
11	8	YA000M800000003	FRONT BRAKE CABLE	前制动拉线	1					
12	9	YA000M800000002	REAR BRAKE CABLE	后制动拉线	1					